



SCAN ME

Reflections



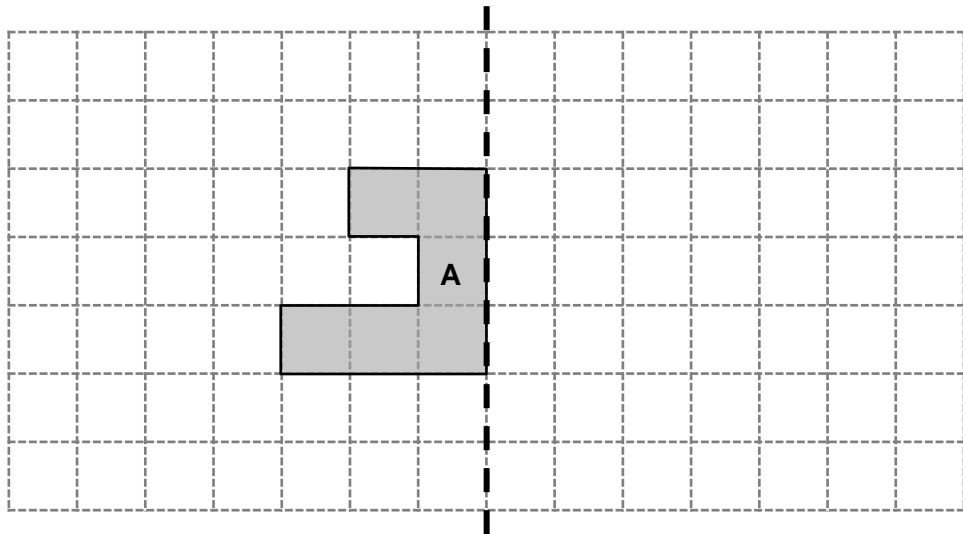
SCAN ME

REVISE THIS TOPIC

CHECK YOUR ANSWERS

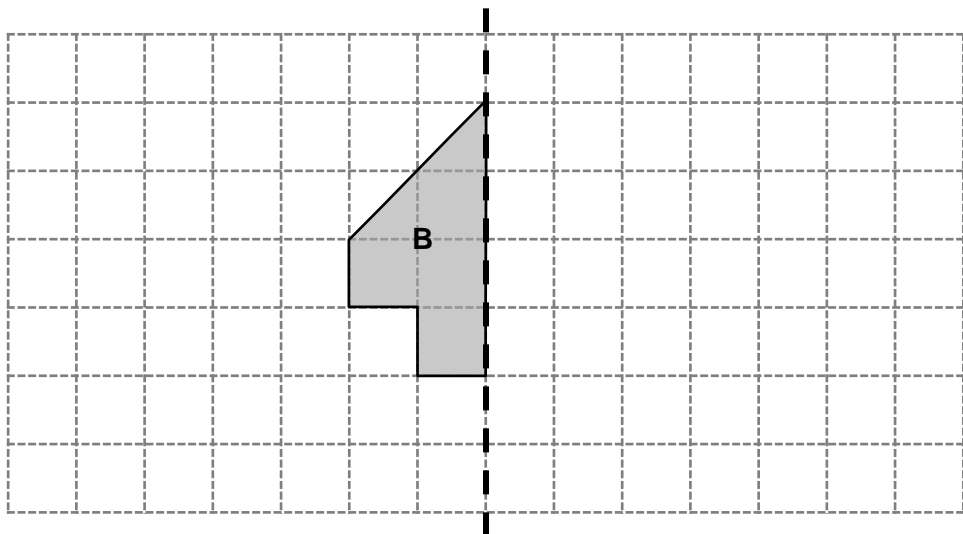
1 Reflect shape **A** in the mirror line.

[2 marks]



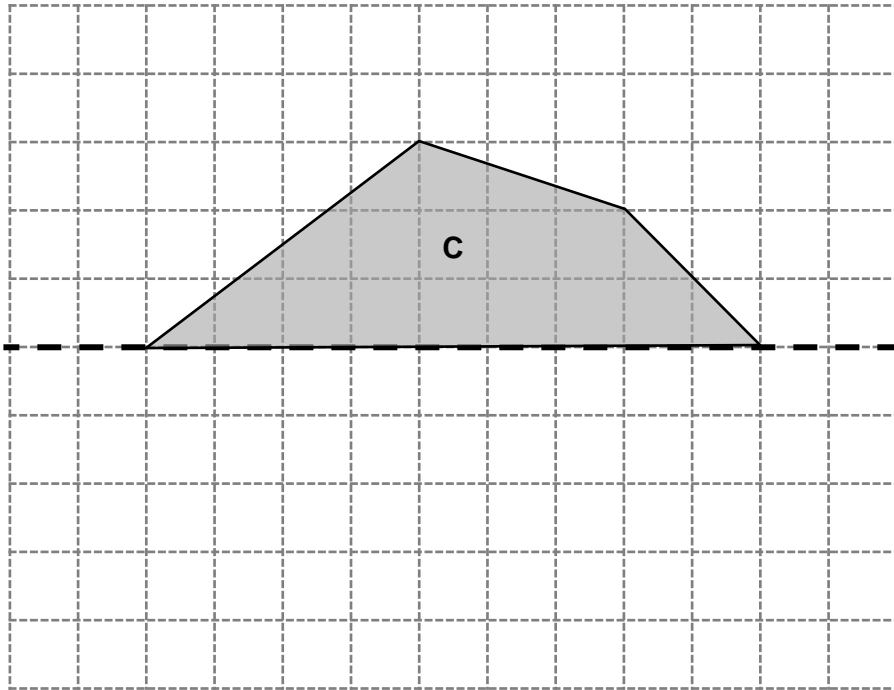
2 Reflect shape **B** in the mirror line.

[2 marks]



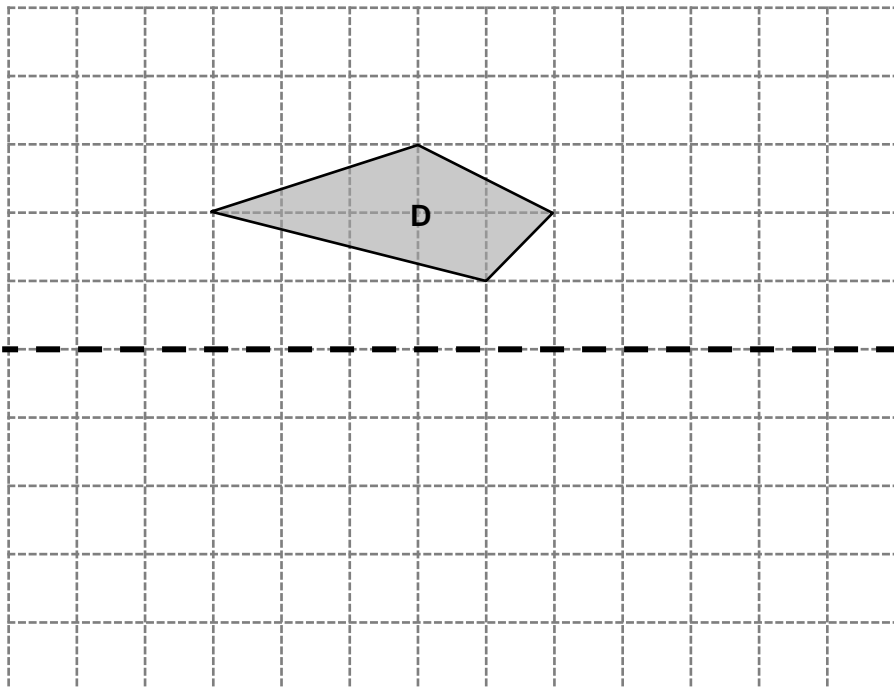
3 Reflect shape **C** in the mirror line.

[2 marks]

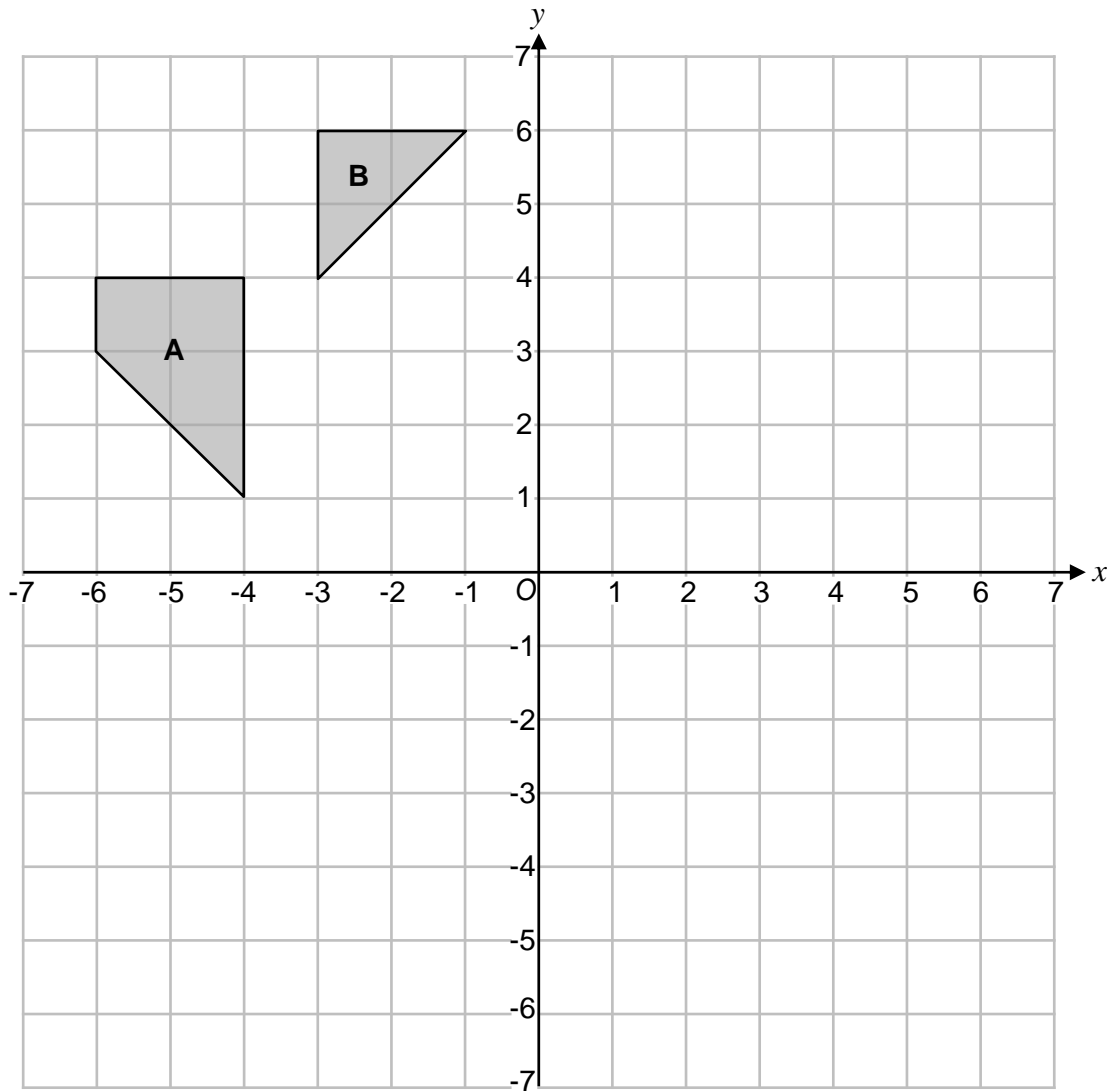


4 Reflect shape **D** in the mirror line.

[2 marks]



5 Shape **A** and Shape **B** are shown on the grid below.



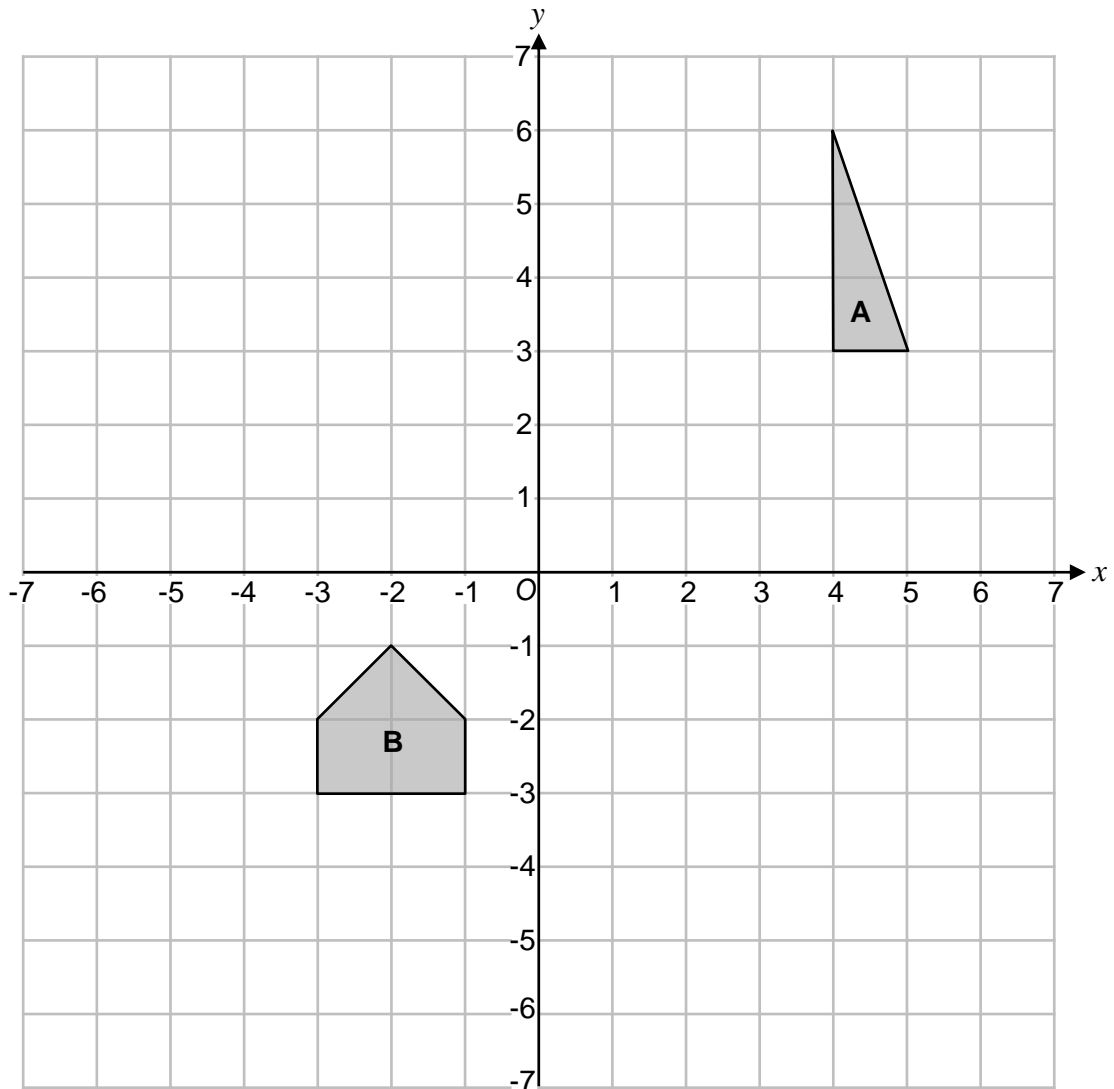
5 (a) Reflect shape **A** in the x -axis.
Label the image shape **C**. [2 marks]

5 (b) Reflect shape **B** in the y -axis.
Label the image shape **D**. [2 marks]





6 Shape **A** and Shape **B** are shown on the grid below.



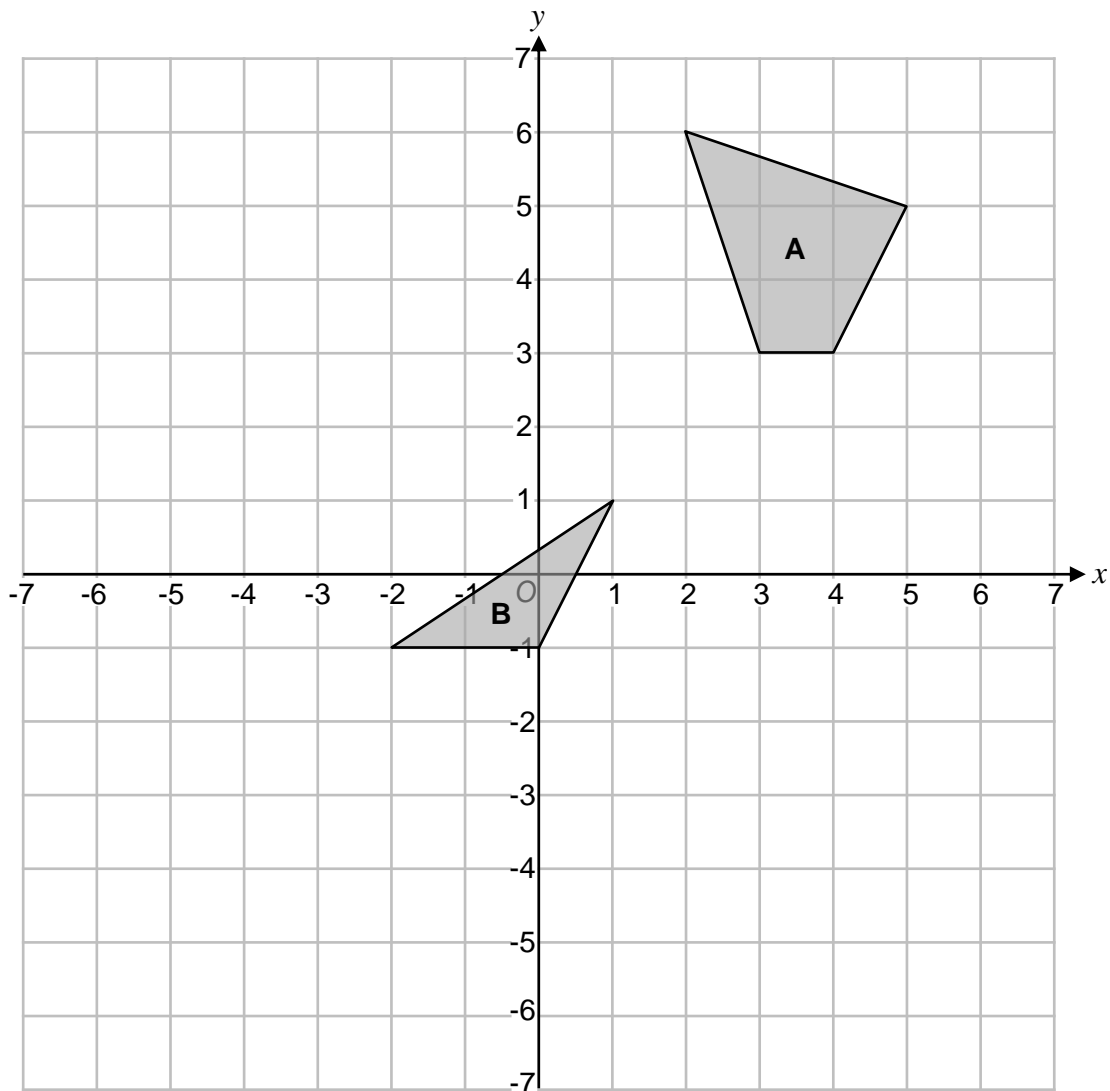
6 (a) Reflect shape **A** in the line $y = 3$ [2 marks]
Label the image shape **C**.

6 (b) Reflect shape **B** in the line $x = 1$ [2 marks]
Label the image shape **D**.





7 Shape **A** and Shape **B** are shown on the grid below.



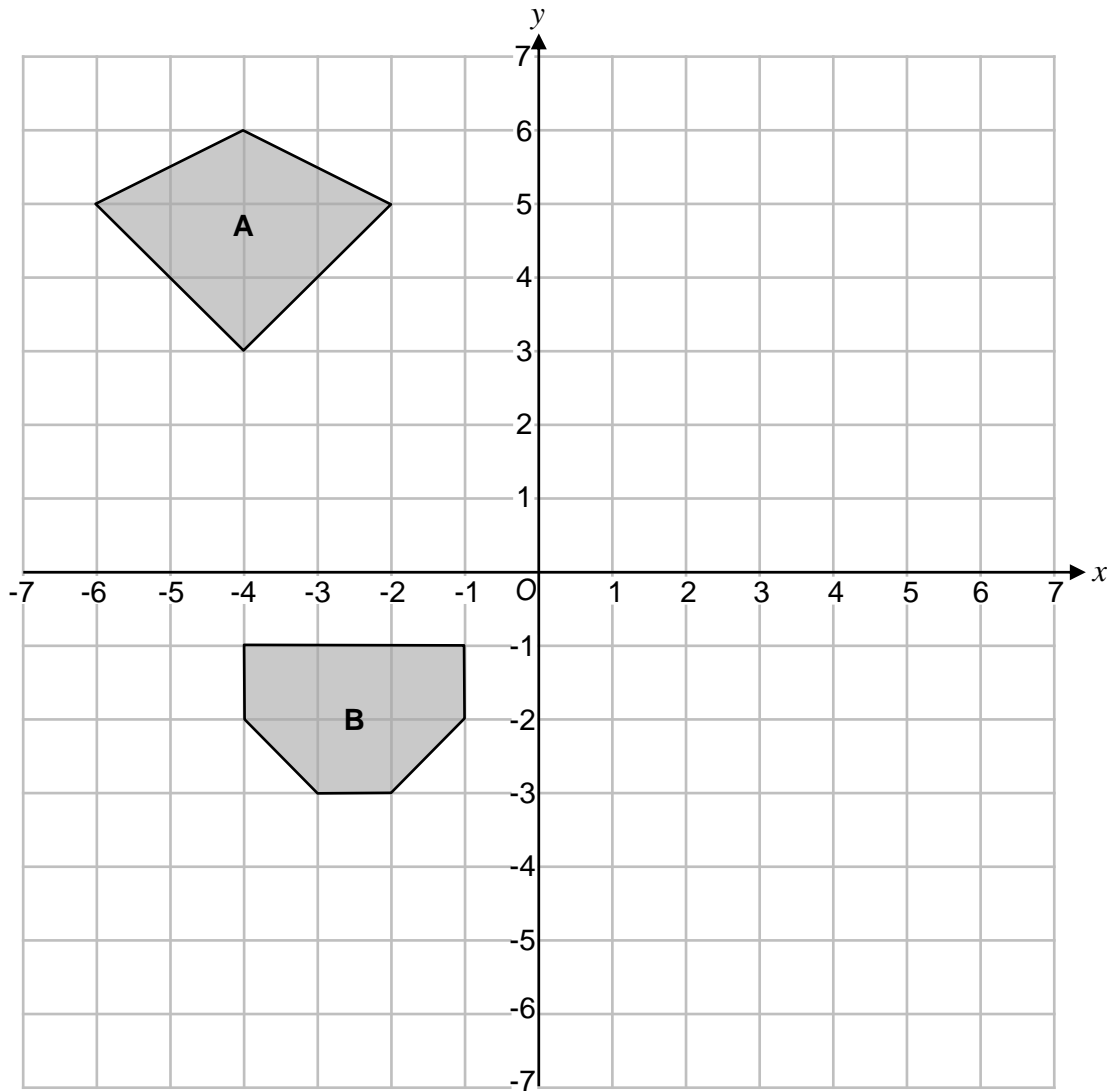
7 (a) Reflect shape **A** in the line $x = 2$ [2 marks]
Label the image shape **C**.

7 (b) Reflect shape **B** in the line $y = -3$ [2 marks]
Label the image shape **D**.





8 Shape **A** and Shape **B** are shown on the grid below.

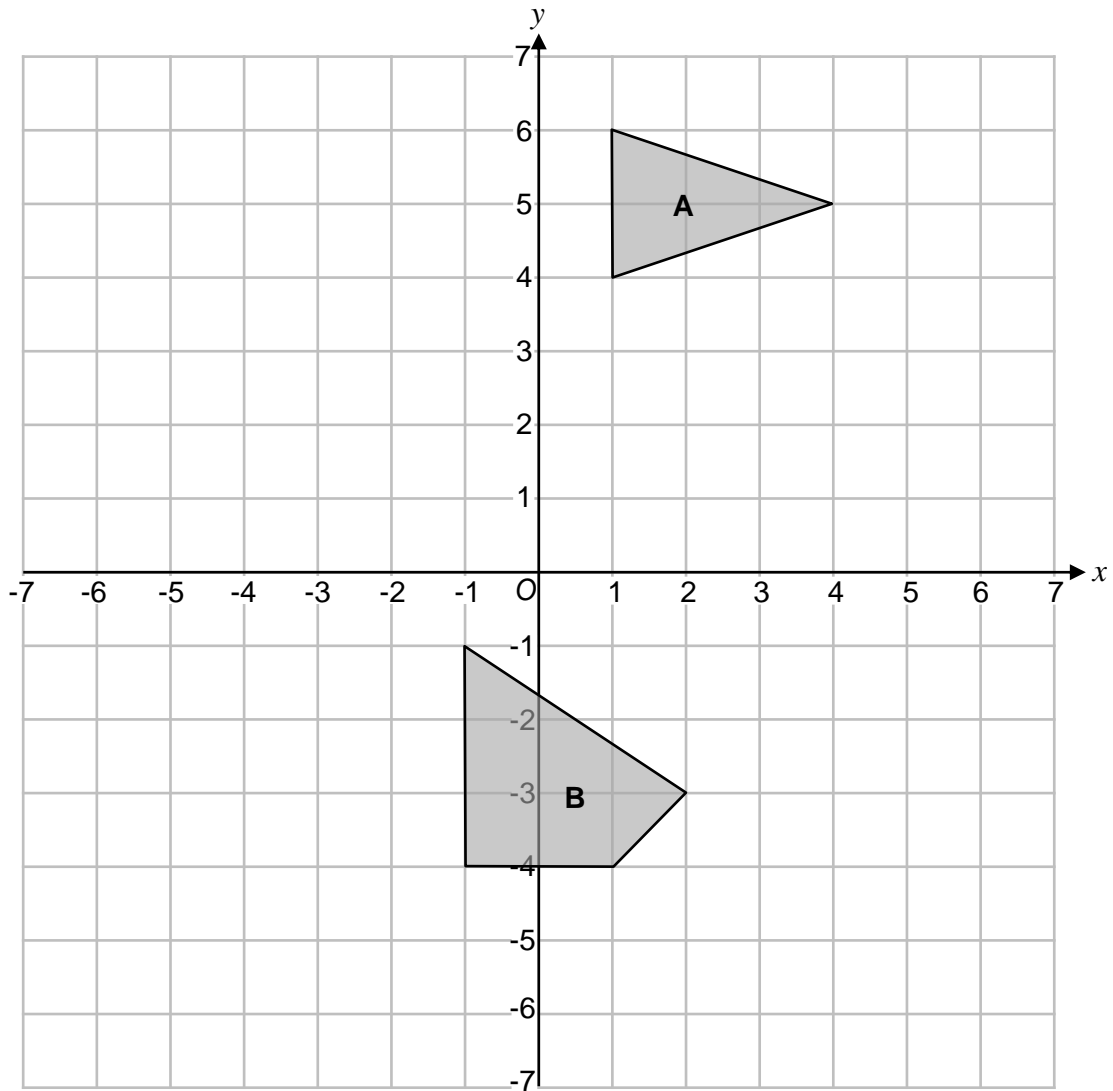


8 (a) Reflect shape **A** in the line $x = 0$ [2 marks]
Label the image shape **C**.

8 (b) Reflect shape **B** in the line $y = 0$ [2 marks]
Label the image shape **D**.



9 Shape **A** and Shape **B** are shown on the grid below.



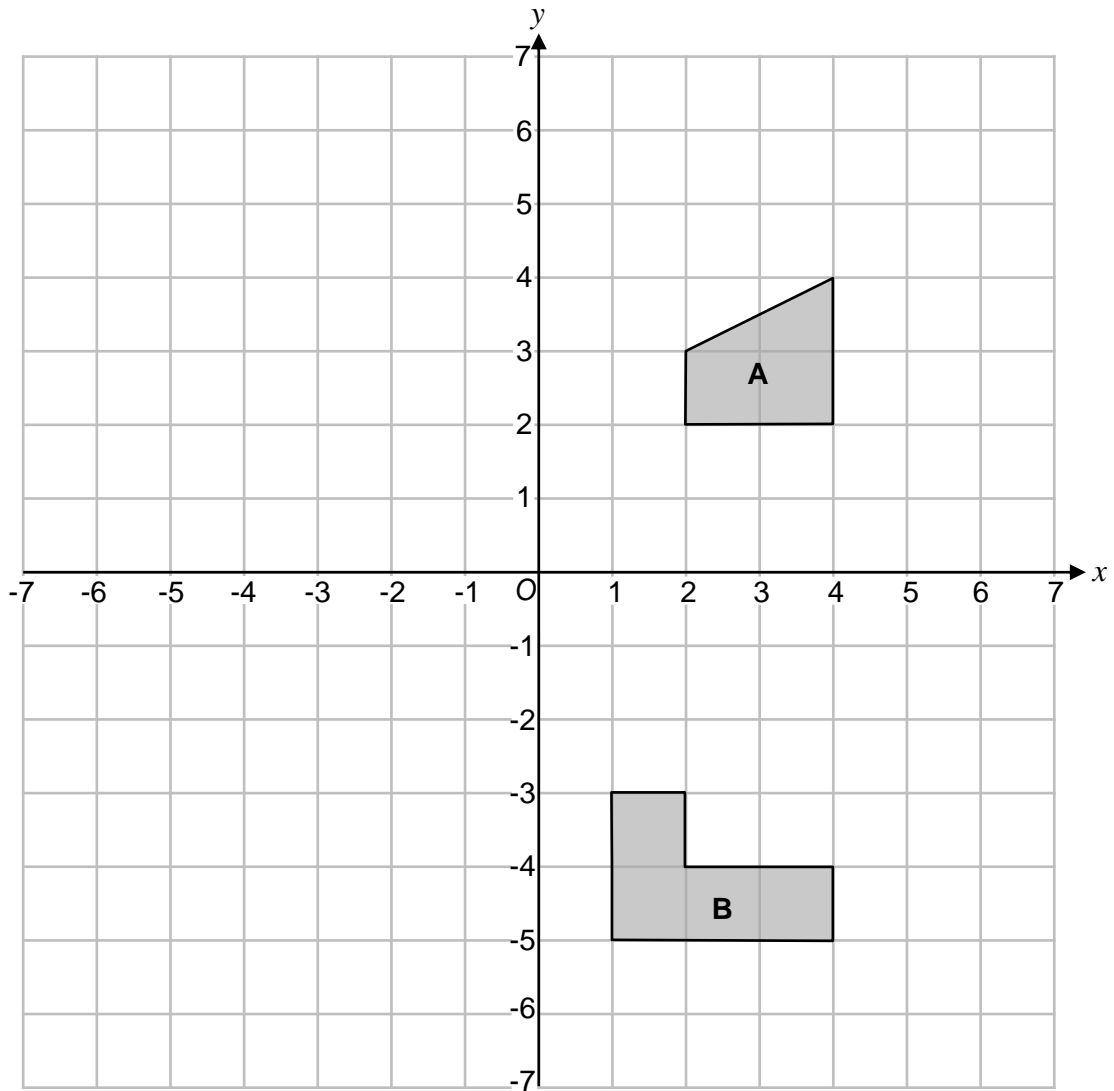
9 (a) Reflect shape **A** in the line $y = x$ [2 marks]
Label the image shape **C**.

9 (b) Reflect shape **B** in the line $x = -2$ [2 marks]
Label the image shape **D**.





10 Shape **A** and Shape **B** are shown on the grid below.



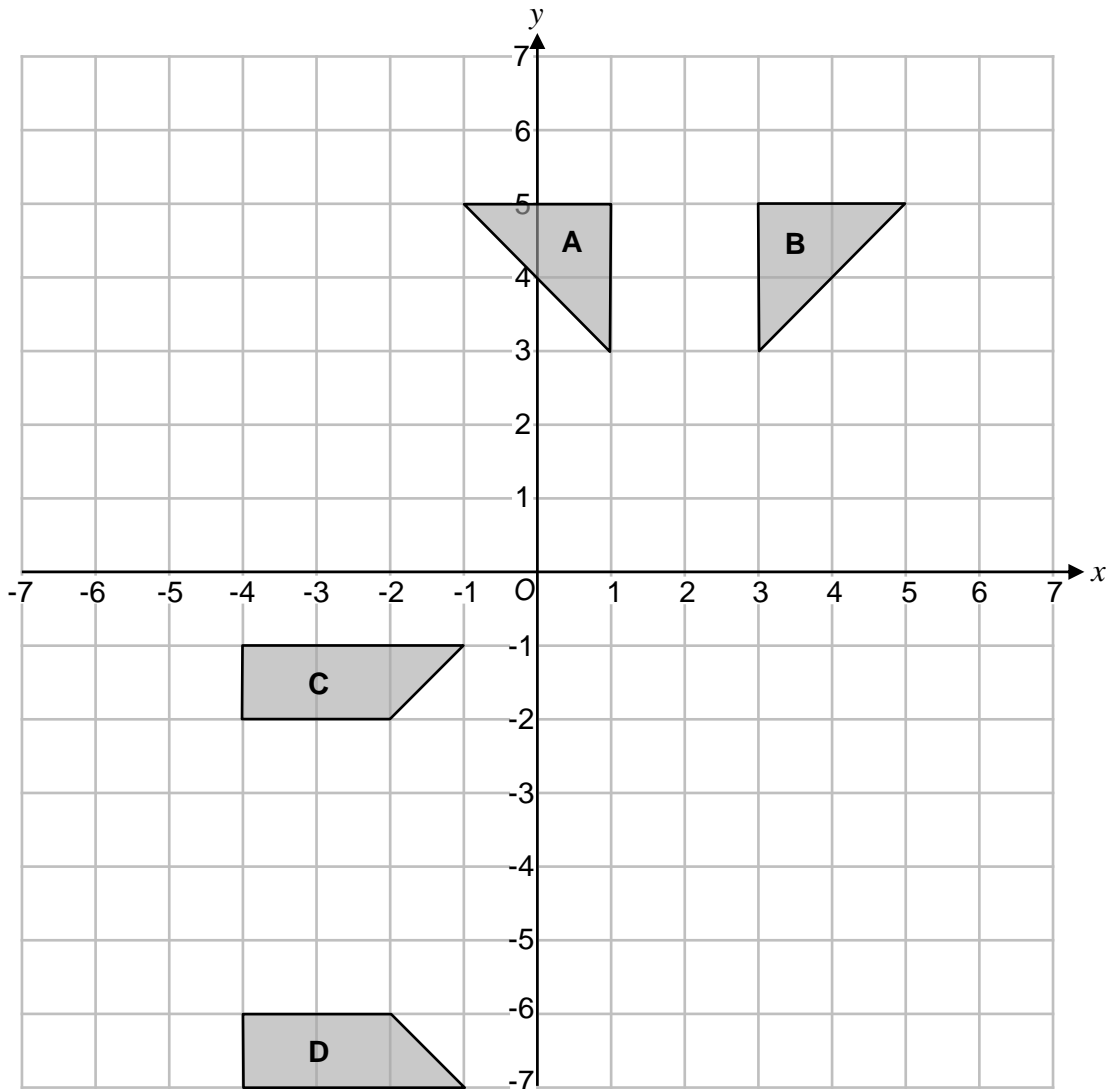
10 (a) Reflect shape **A** in the line $y = 4$ [2 marks]
Label the image shape **C**.

10 (b) Reflect shape **B** in the line $y = -x$ [2 marks]
Label the image shape **D**.





11



11 (a) Describe fully the single transformation that maps shape A onto shape B. [2 marks]

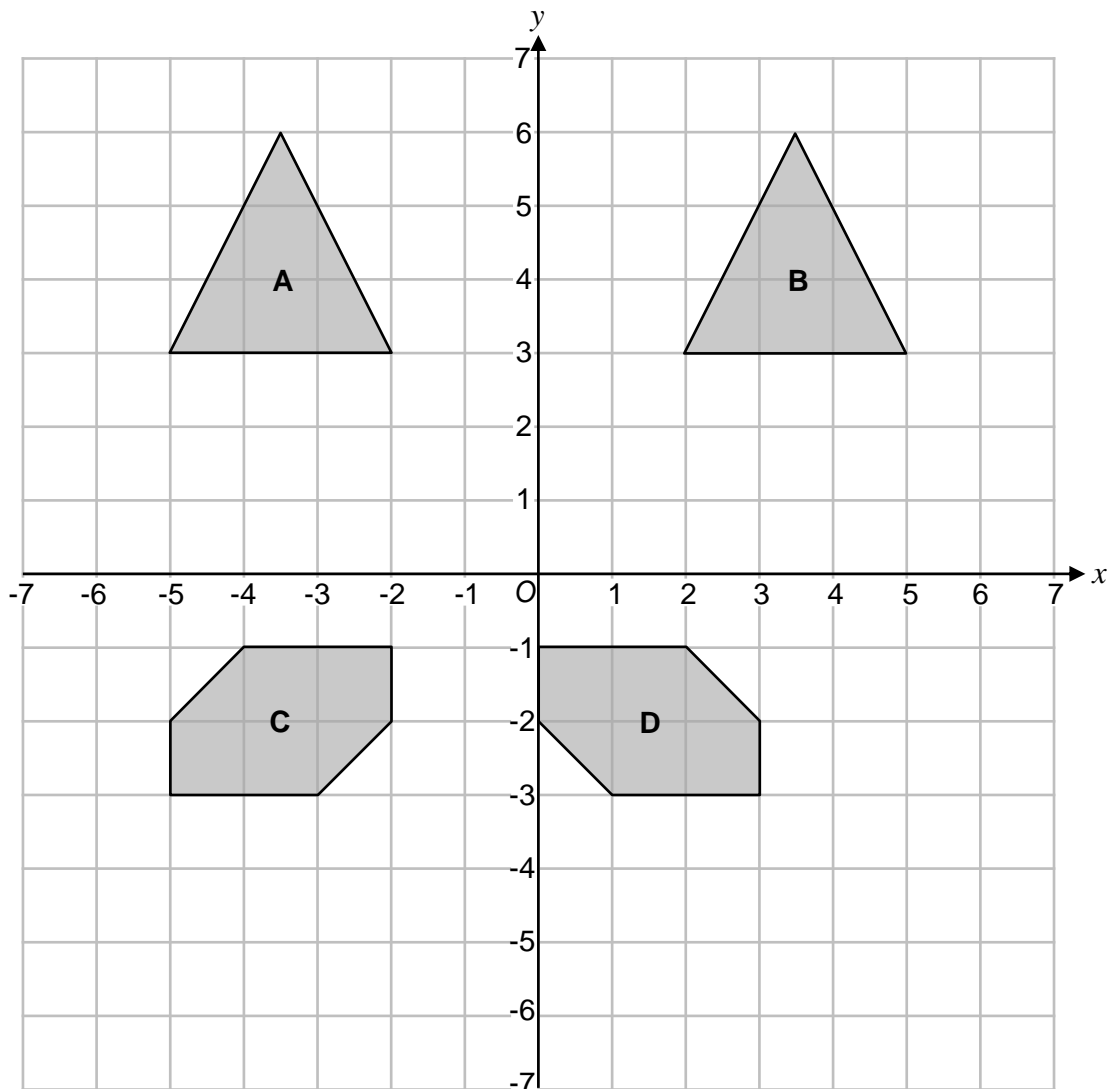
11 (b) Describe fully the single transformation that maps shape C onto shape D. [2 marks]

Turn over ►





12



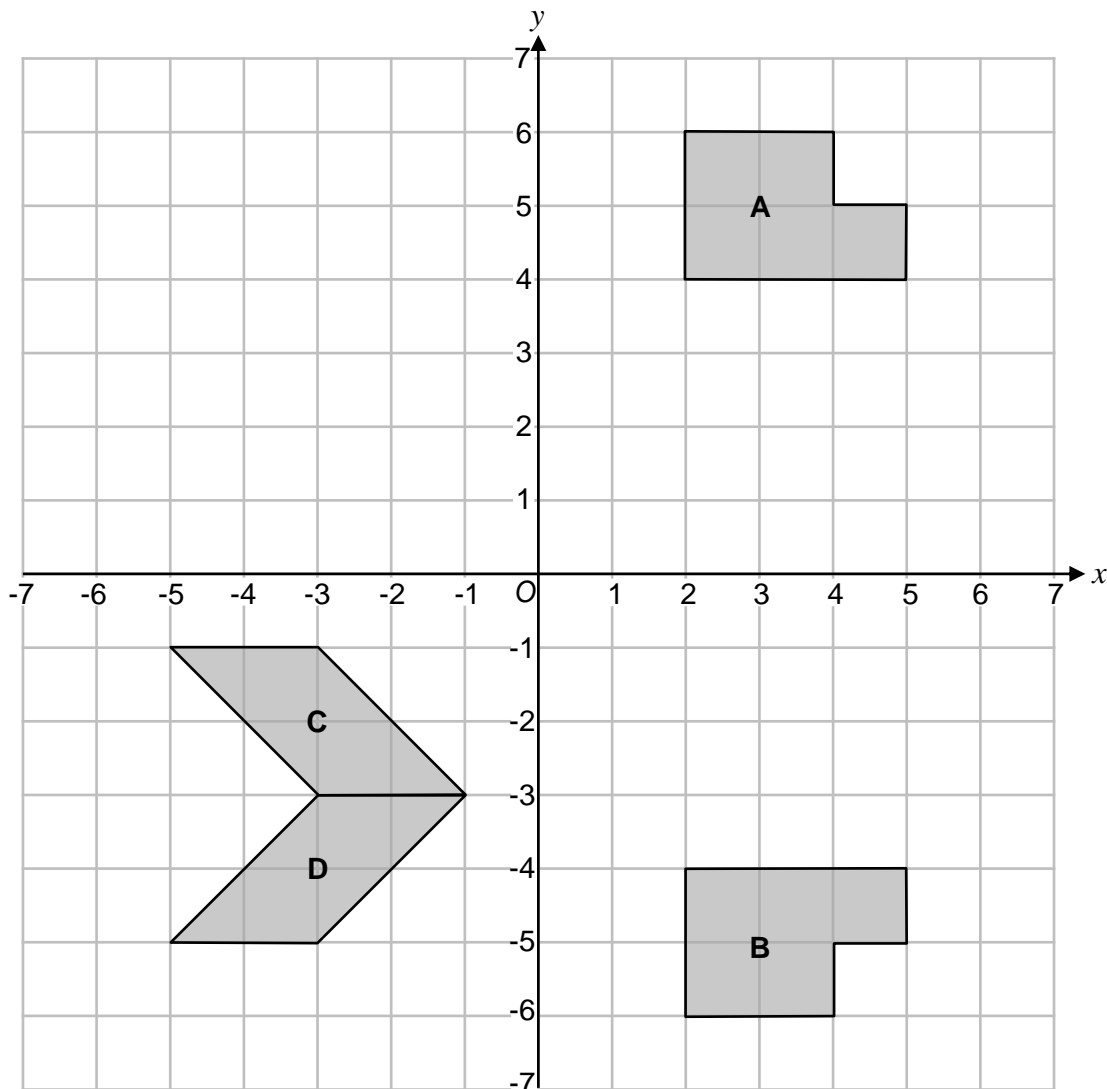
12 (a) Describe fully the single transformation that maps shape **A** onto shape **B**. [2 marks]

12 (b) Describe fully the single transformation that maps shape **C** onto shape **D**. [2 marks]





13



13 (a) Describe fully the single transformation that maps shape A onto shape B. [2 marks]

13 (b) Describe fully the single transformation that maps shape C onto shape D. [2 marks]

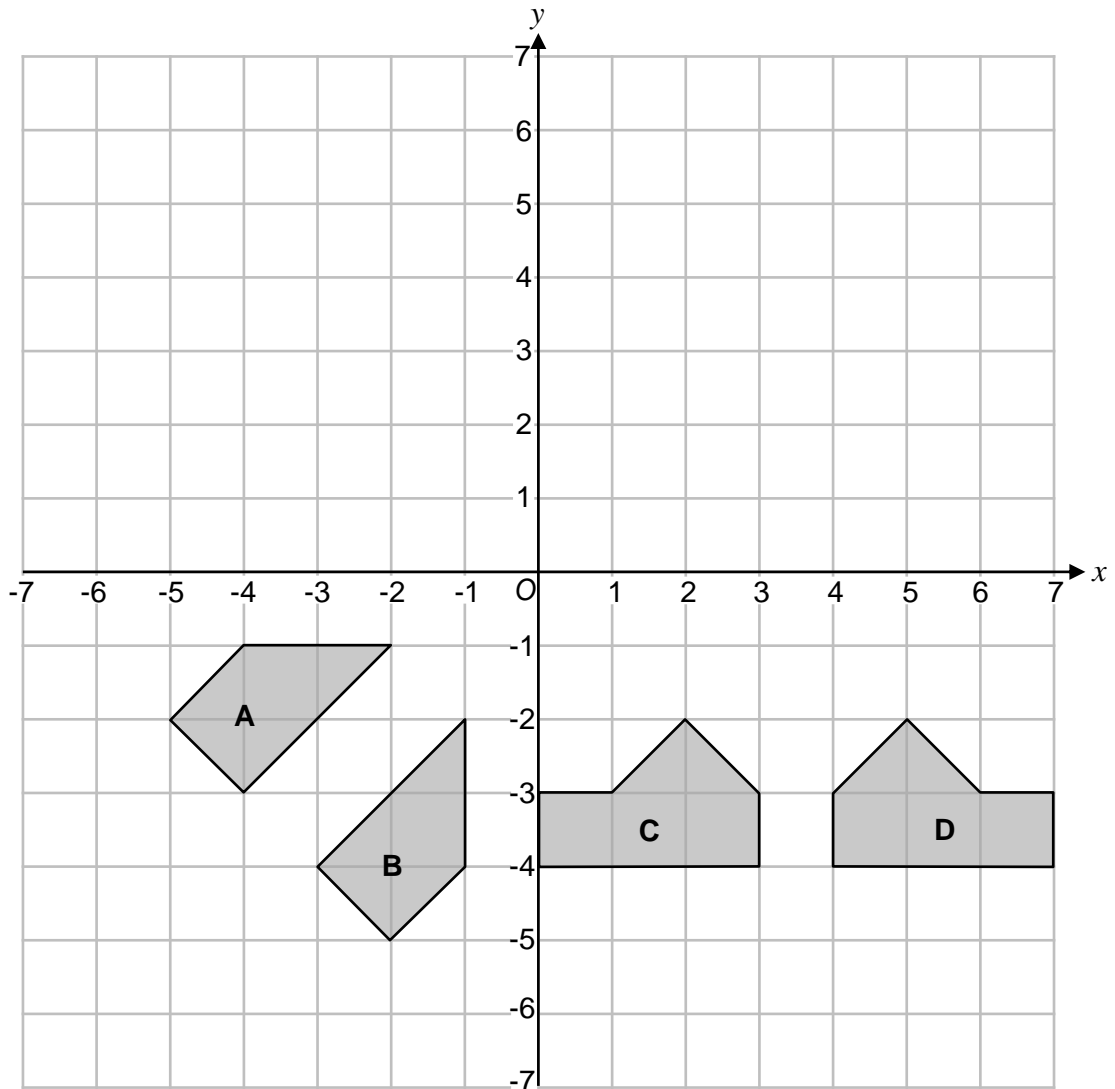
$\frac{\quad}{8}$

Turn over ►





14



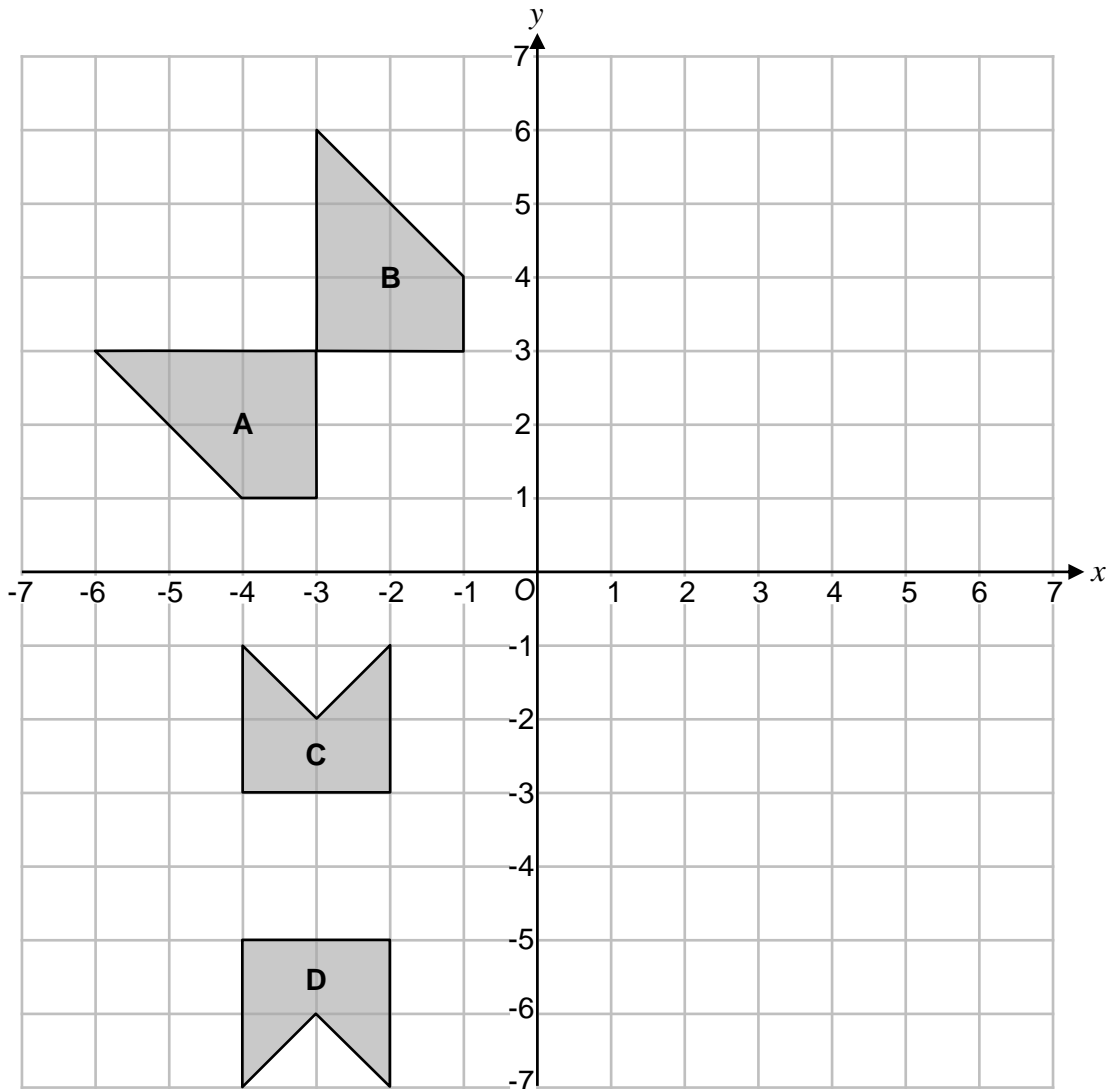
14 (a) Describe fully the single transformation that maps shape **A** onto shape **B**. [2 marks]

14 (b) Describe fully the single transformation that maps shape **C** onto shape **D**. [2 marks]





15



15 (a) Describe fully the single transformation that maps shape **A** onto shape **B**. [2 marks]

15 (b) Describe fully the single transformation that maps shape **C** onto shape **D**. [2 marks]

