



Similar Triangles



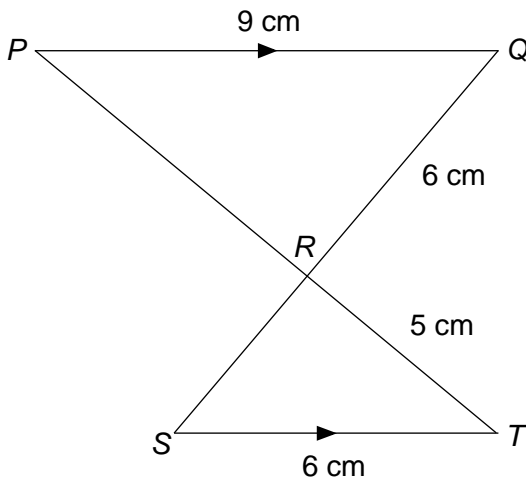
SCAN ME

REVISE THIS TOPIC

CHECK YOUR ANSWERS

SCAN ME

- 1 PQR and RST are similar triangles.
 PQ is parallel to ST .



Not drawn accurately

- 1 (a) Work out the length of PR . [2 marks]

Answer _____ cm

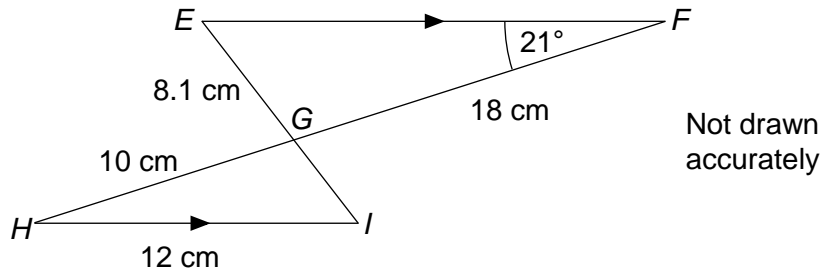
- 1 (b) Work out the length of RS . [2 marks]

Answer _____ cm

Please note that this is technically a foundation topic but many of the questions in this booklet are aimed at higher students and typically appear in higher papers more often than foundation. If you're looking for a grade 6+ I'd put some effort into this but if you're aiming for a 4/5 some of the later questions might be tough. You may prefer to spend time trying other topics instead.



- 2 *EFG* and *GHI* are similar triangles.
EF is parallel to *HI*.



- 2 (a) Write down the size of angle *GHI*. [1 mark]

Answer _____ °

- 2 (b) Work out the length of *EF*. [2 marks]

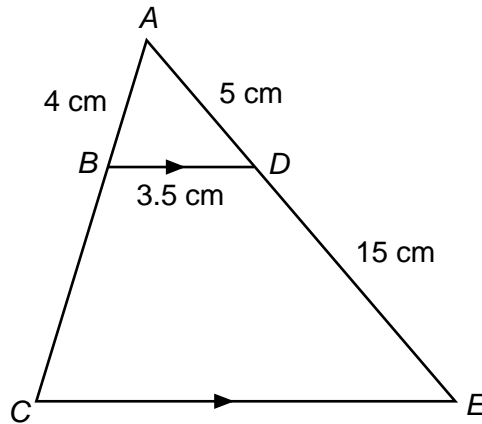
Answer _____ cm

- 2 (c) Work out the length of *GI*. [2 marks]

Answer _____ cm



- 3 ABC and ADE are straight lines.
 BD is parallel to CE .



Not drawn
accurately

- 3 (a) Work out the length of CE . [2 marks]

Answer _____ cm

- 3 (b) Work out the length of BC . [2 marks]

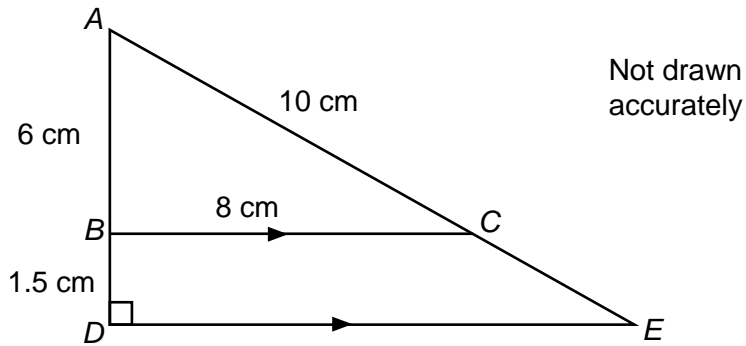
Answer _____ cm

$\frac{\quad}{9}$

Turn over ►



- 4 ADE is a right-angled triangle.
 BC is parallel to DE .



- 4 (a) Work out the length of DE . [2 marks]

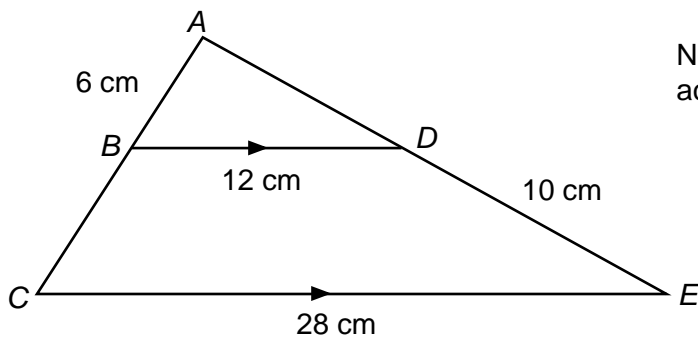
Answer _____ cm

- 4 (b) Work out the length of CE . [2 marks]

Answer _____ cm



- 5 ABC and ADE are straight lines.
 BD is parallel to CE .



Not drawn
accurately

- 5 (a) Work out the length of BC . [3 marks]

Answer _____ cm

- 5 (b) Work out the length of AD . [3 marks]

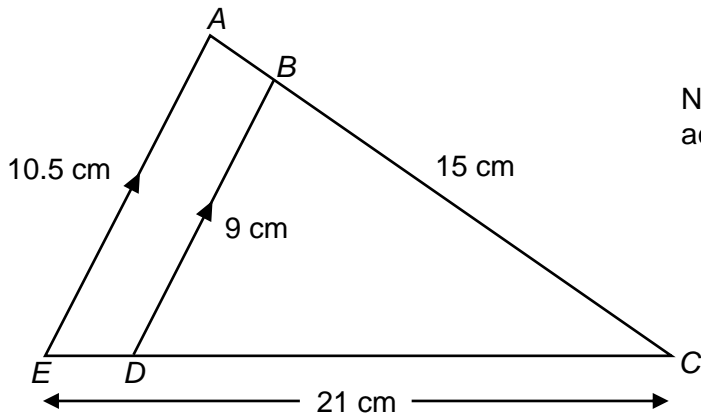
Answer _____ cm

10

Turn over ►



- 6 ABC and EDC are straight lines.
 AE is parallel to BD .



- 6 (a) Work out the length of AB . [2 marks]

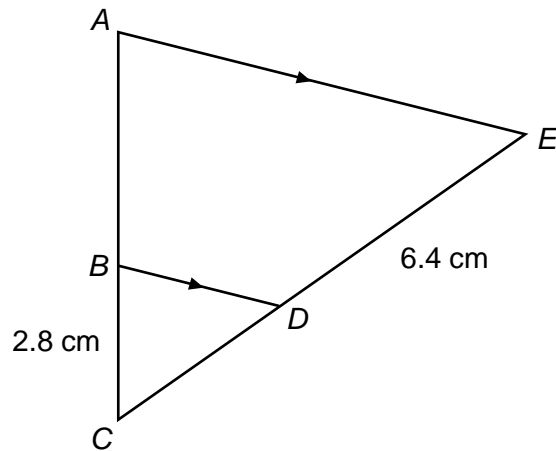
Answer _____ cm

- 6 (b) Work out the length of ED . [3 marks]

Answer _____ cm



- 7 ABC and CDE are straight lines.
 AE is parallel to BD .



Not drawn accurately

$$BD : AE = 1 : 3$$

- 7 (a) Work out the length of AB . [2 marks]

Answer _____ cm

- 7 (b) Work out the length of CD . [3 marks]

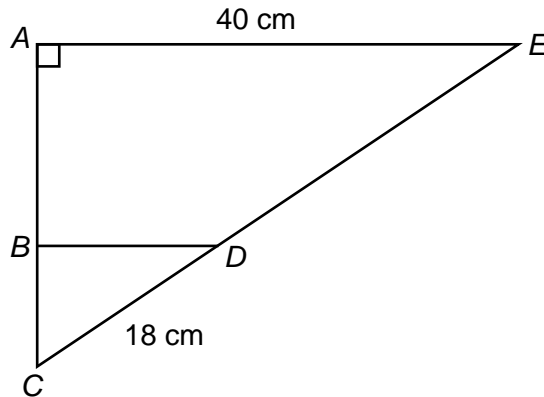
Answer _____ cm

$\frac{\quad}{10}$

Turn over ►



- 8 ACE is a right-angled triangle.
 AE is parallel to BD .



Not drawn accurately

$$AB : BC = 7 : 3$$

- 8 (a) Work out the length of BD . [3 marks]

Answer _____ cm

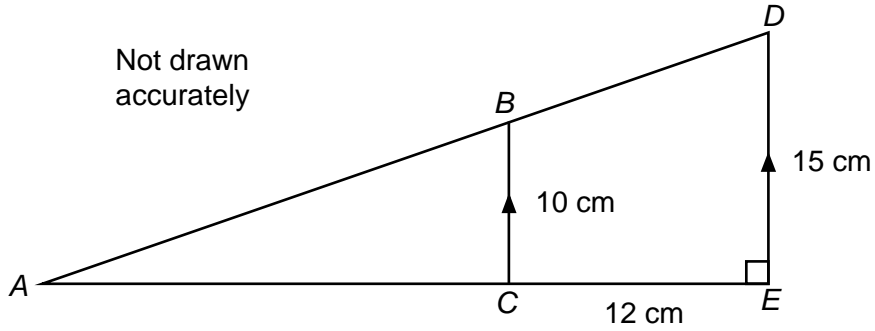
- 8 (b) Work out the length of DE . [3 marks]

Answer _____ cm





9 ADE is a right-angled triangle.
 BC is parallel to DE .



Work out the length of AB .

[5 marks]

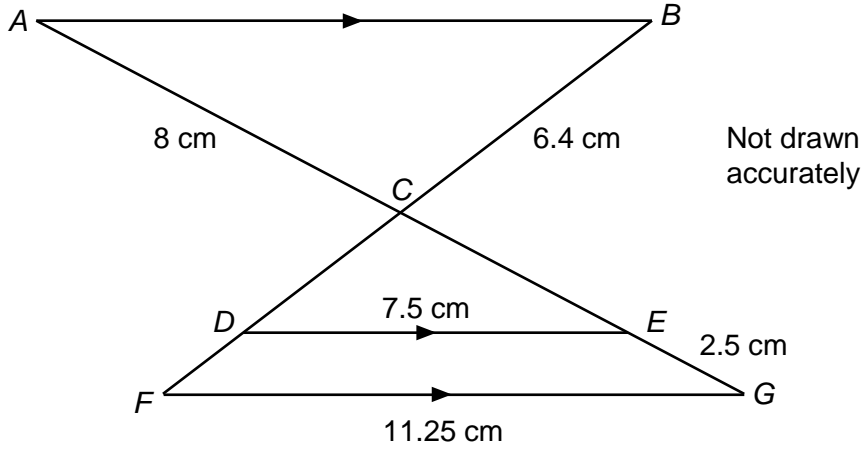
Answer _____ cm

Turn over ►



10

$ACEG$ and $BCDF$ are straight lines.
 AB , DE and FG are parallel lines.



Work out the length of DF .

[5 marks]

Answer _____ cm

$\frac{\quad}{5}$

