



Rotations



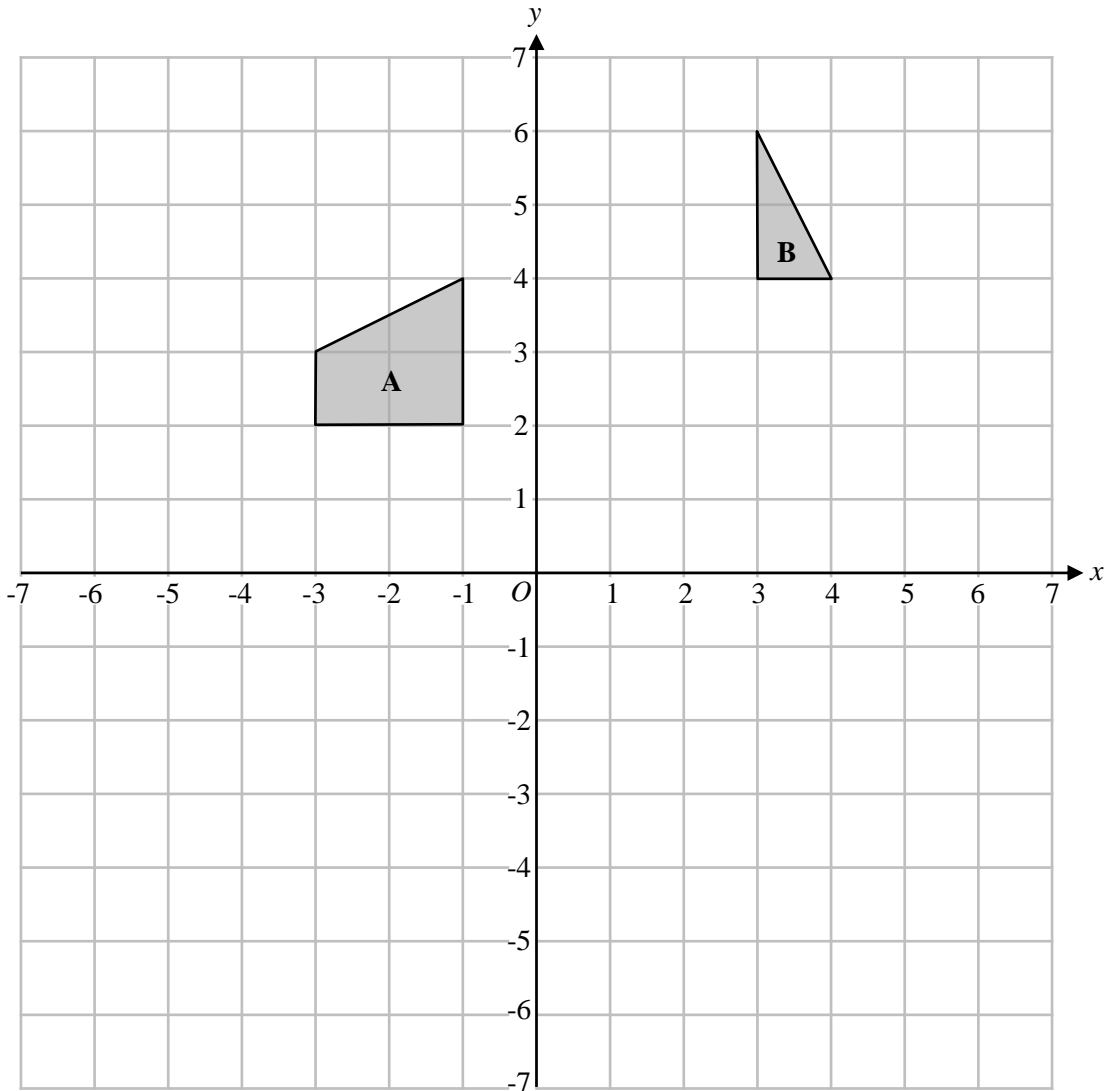
SCAN ME

REVISE THIS TOPIC

CHECK YOUR ANSWERS

SCAN ME

1 Shape A and Shape B are shown on the grid below.



(a) Rotate shape A 180° about $(0, 0)$
Label the image shape C.

(2)

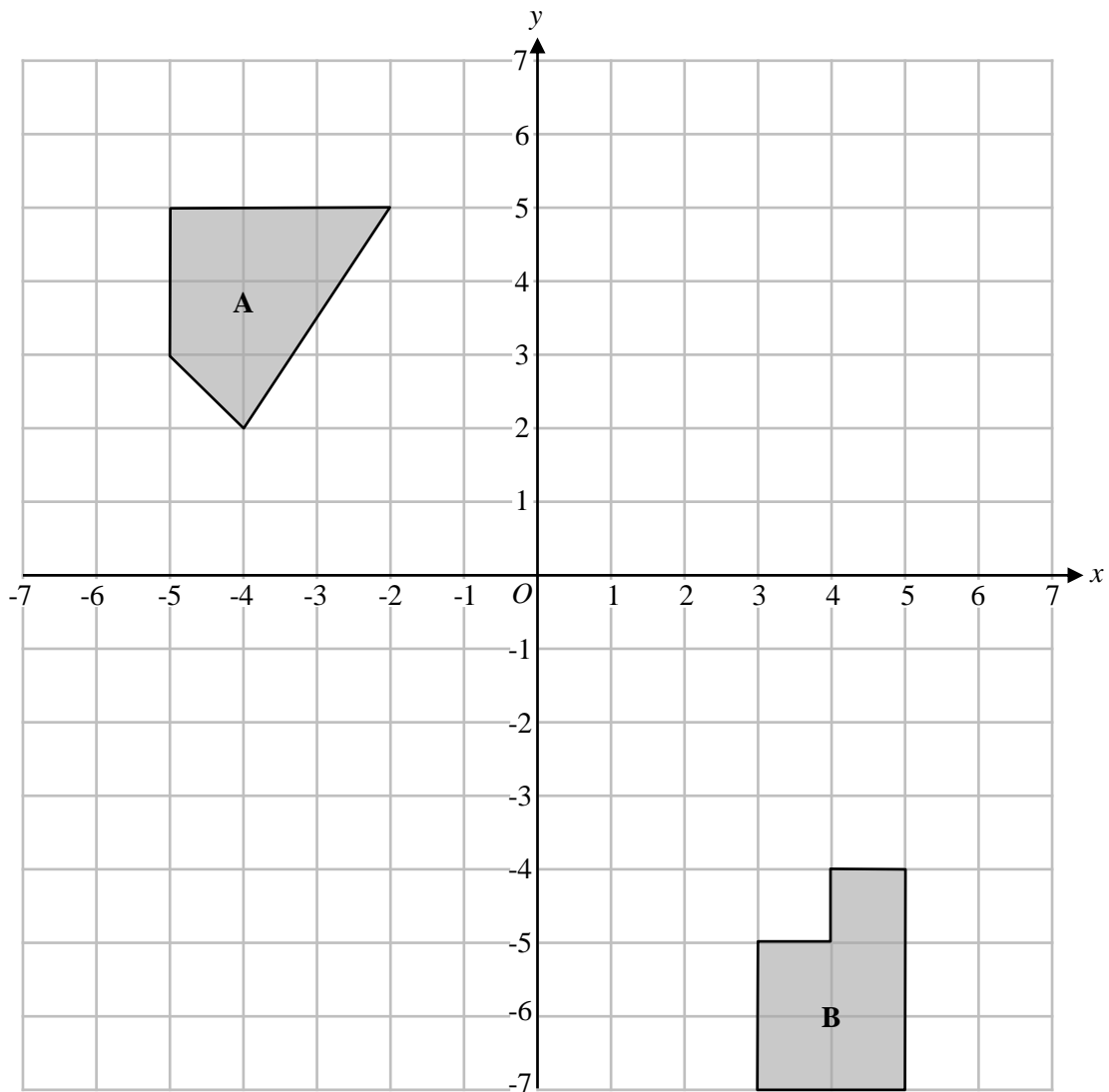
(b) Rotate shape B 90° clockwise about $(3, 3)$
Label the image shape D.

(2)

(Total for Question 1 is 4 marks)



2 Shape **A** and Shape **B** are shown on the grid below.



(a) Rotate shape **A** 90° anticlockwise about $(0, 0)$
Label the image shape **C**.

(2)

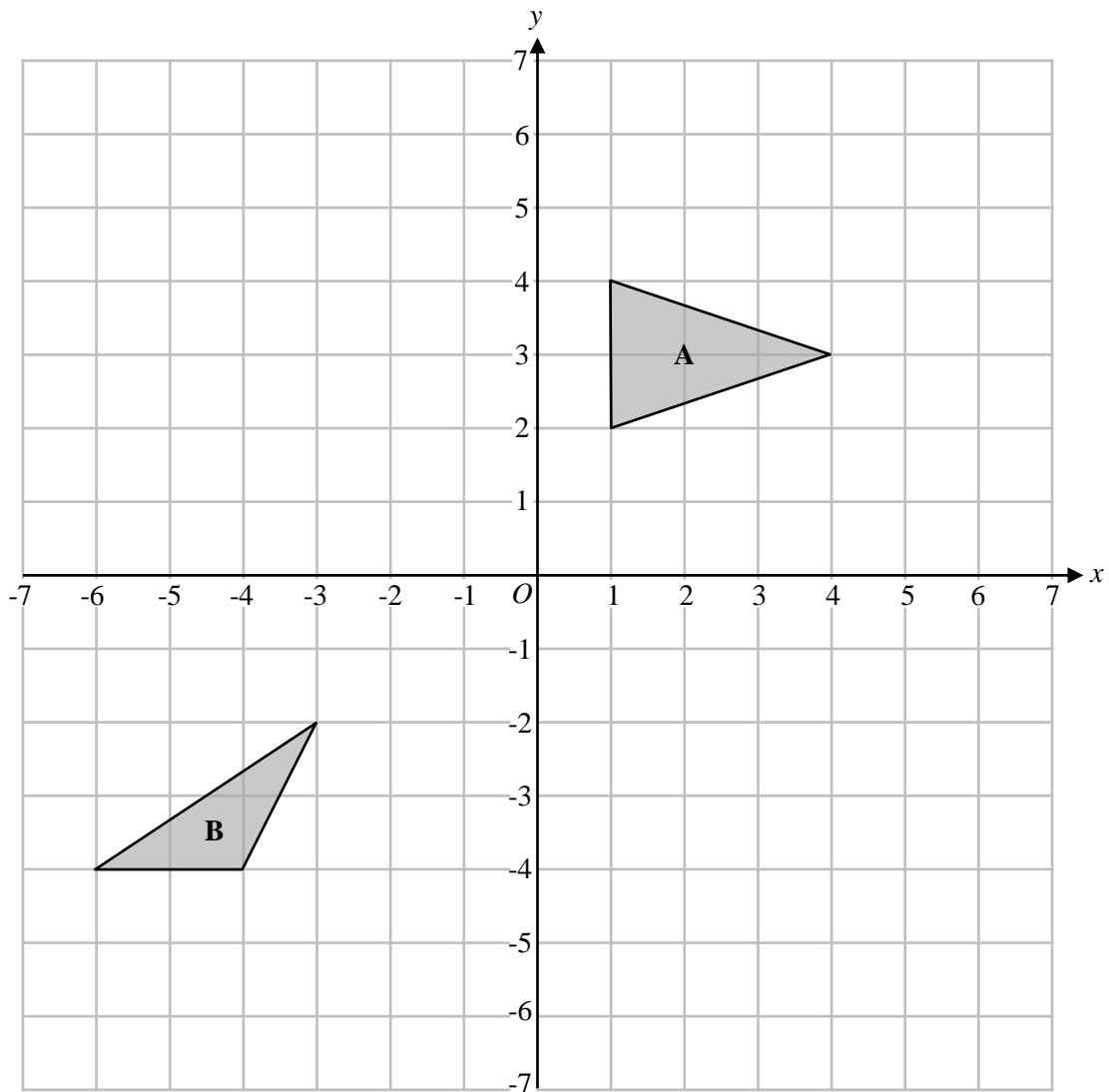
(b) Rotate shape **B** 180° about $(3, -4)$
Label the image shape **D**.

(2)

(Total for Question 2 is 4 marks)



3 Shape **A** and Shape **B** are shown on the grid below.



(a) Rotate shape **A** 90° clockwise about $(1, 0)$
Label the image shape **C**.

(2)

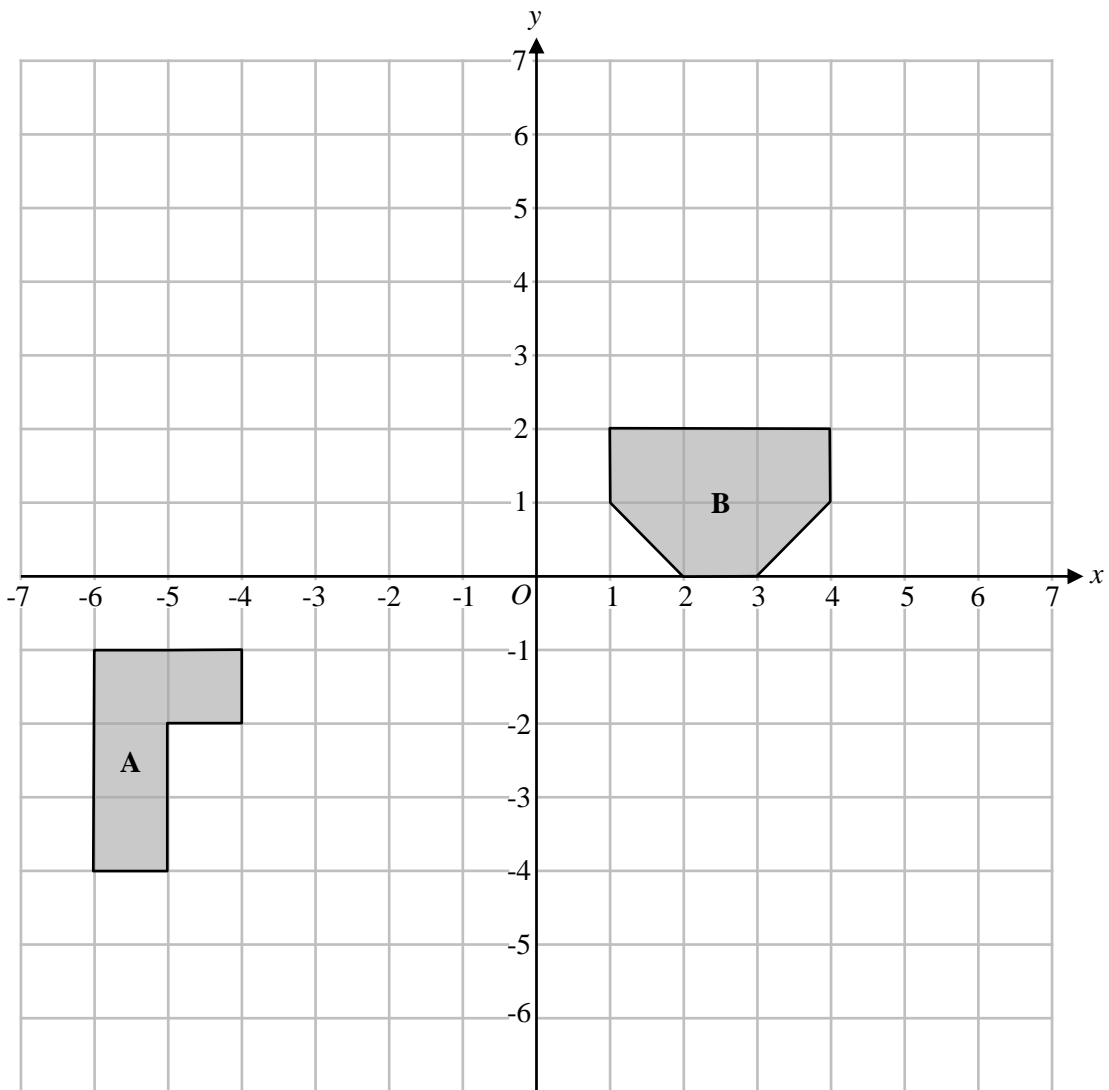
(b) Rotate shape **B** 90° anticlockwise about $(0, -1)$
Label the image shape **D**.

(2)

(Total for Question 3 is 4 marks)



4 Shape **A** and Shape **B** are shown on the grid below.



(a) Rotate shape **A** 90° clockwise about $(-1, 1)$
Label the image shape **C**.

(2)

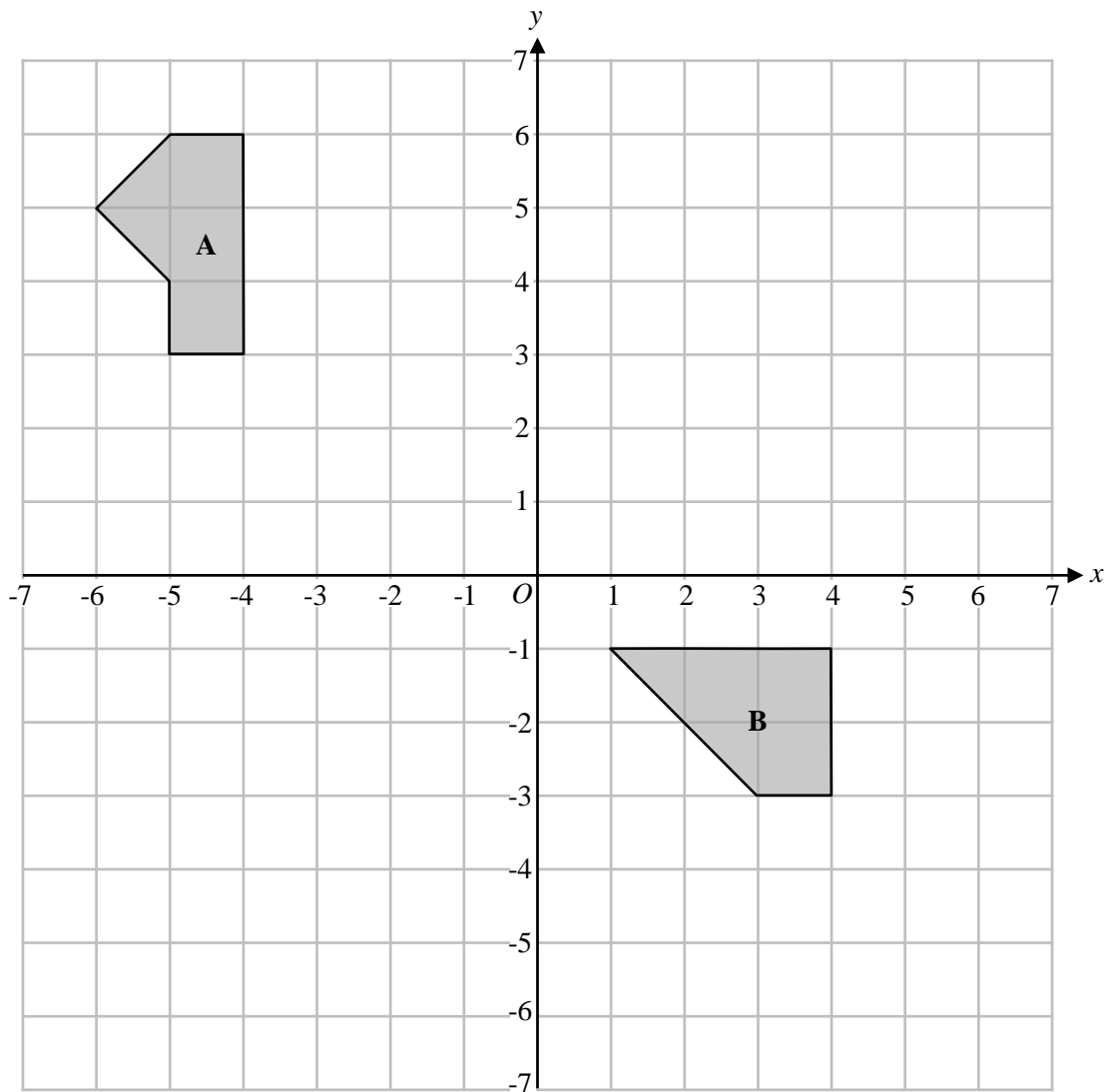
(b) Rotate shape **B** 180° about $(3, 3)$
Label the image shape **D**.

(2)

(Total for Question 4 is 4 marks)



5 Shape **A** and Shape **B** are shown on the grid below.



(a) Rotate shape **A** 180° about $(-4, 0)$
Label the image shape **C**.

(2)

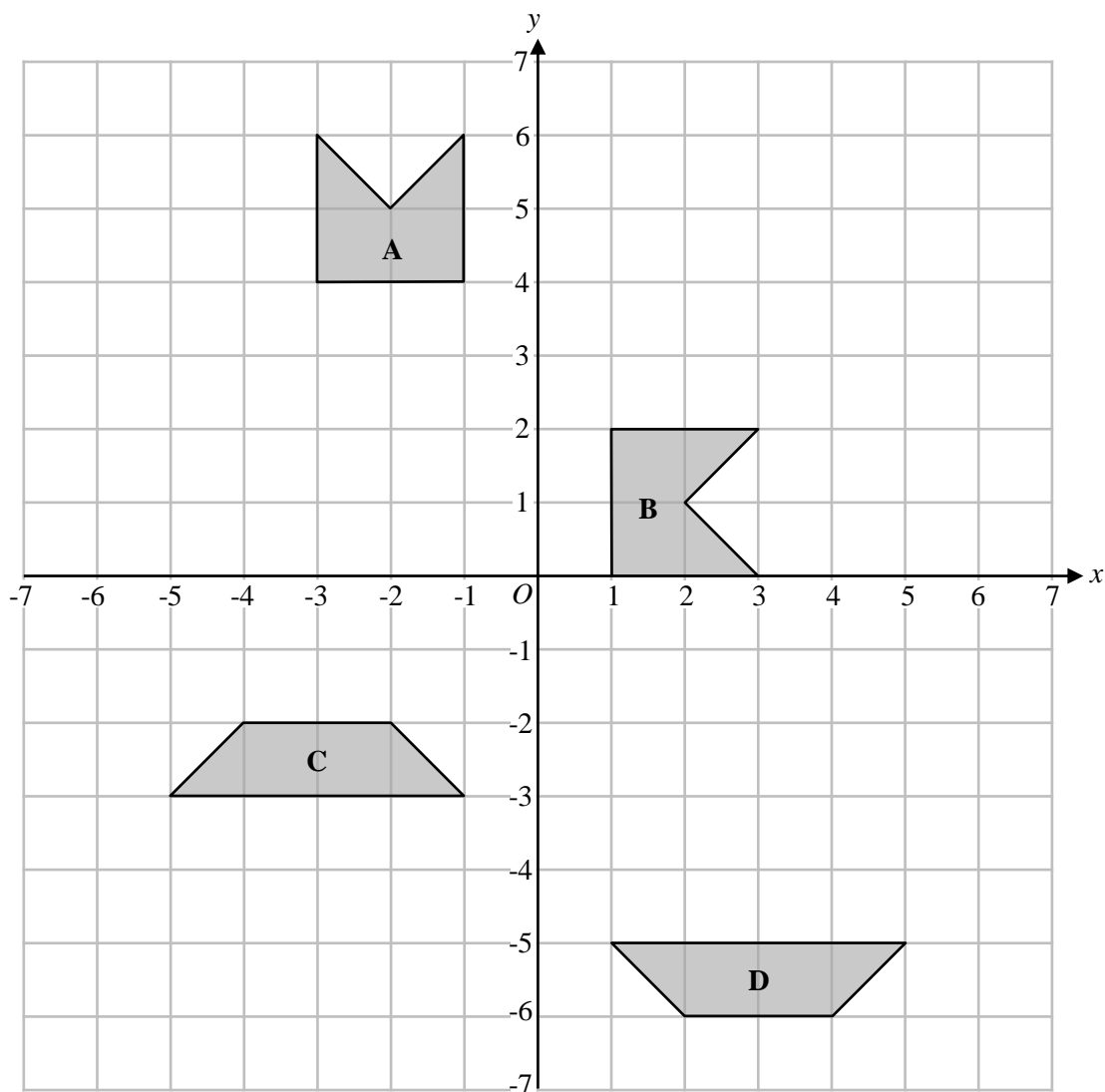
(b) Rotate shape **B** 90° anticlockwise about $(2, 2)$
Label the image shape **D**.

(2)

(Total for Question 5 is 4 marks)



6



(a) Describe fully the single transformation that maps shape **A** onto shape **B**.

.....

.....

(2)

(b) Describe fully the single transformation that maps shape **C** onto shape **D**.

.....

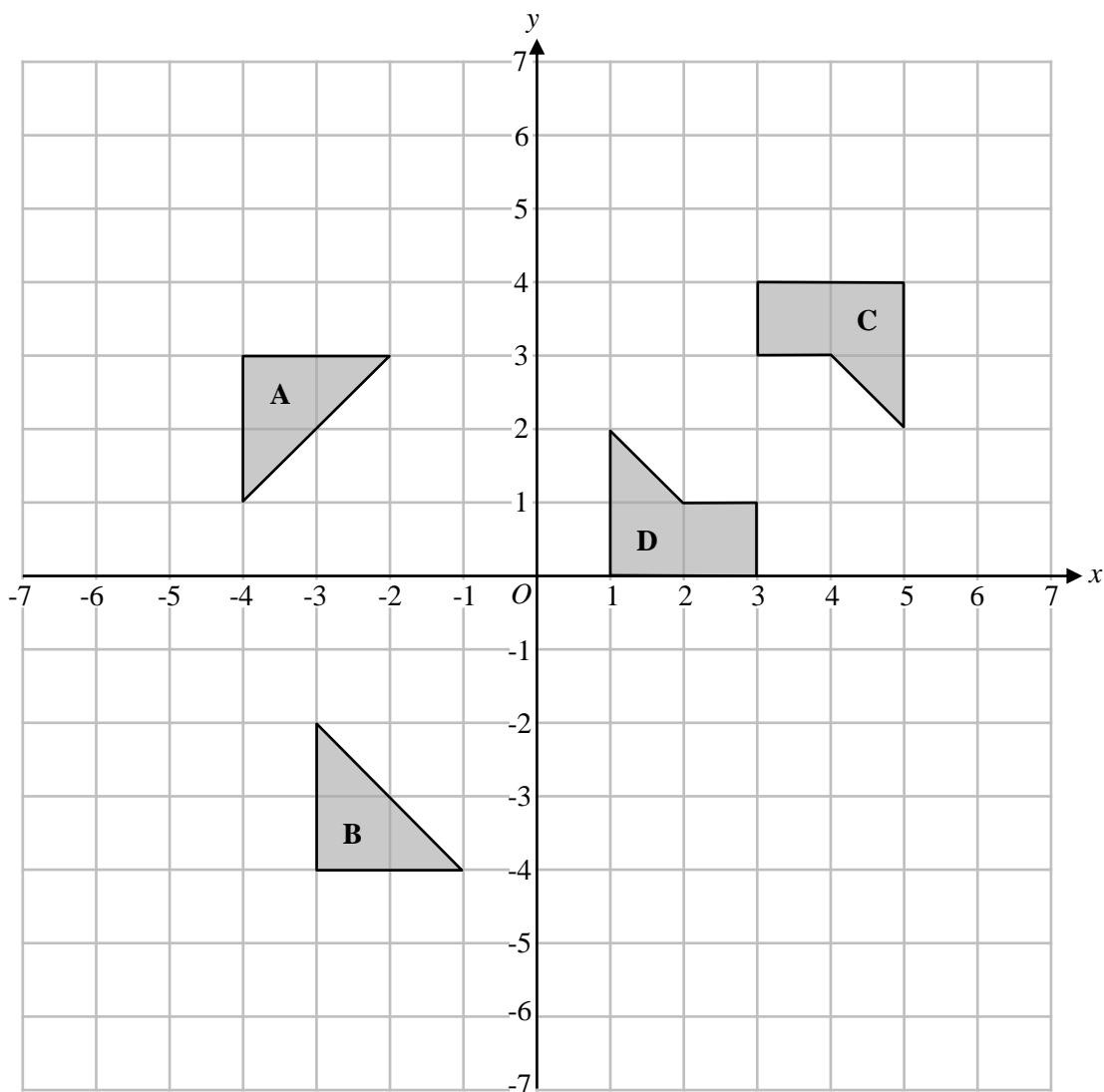
.....

(2)

(Total for Question 6 is 4 marks)



7



(a) Describe fully the single transformation that maps shape **A** onto shape **B**.

.....

.....

(2)

(b) Describe fully the single transformation that maps shape **C** onto shape **D**.

.....

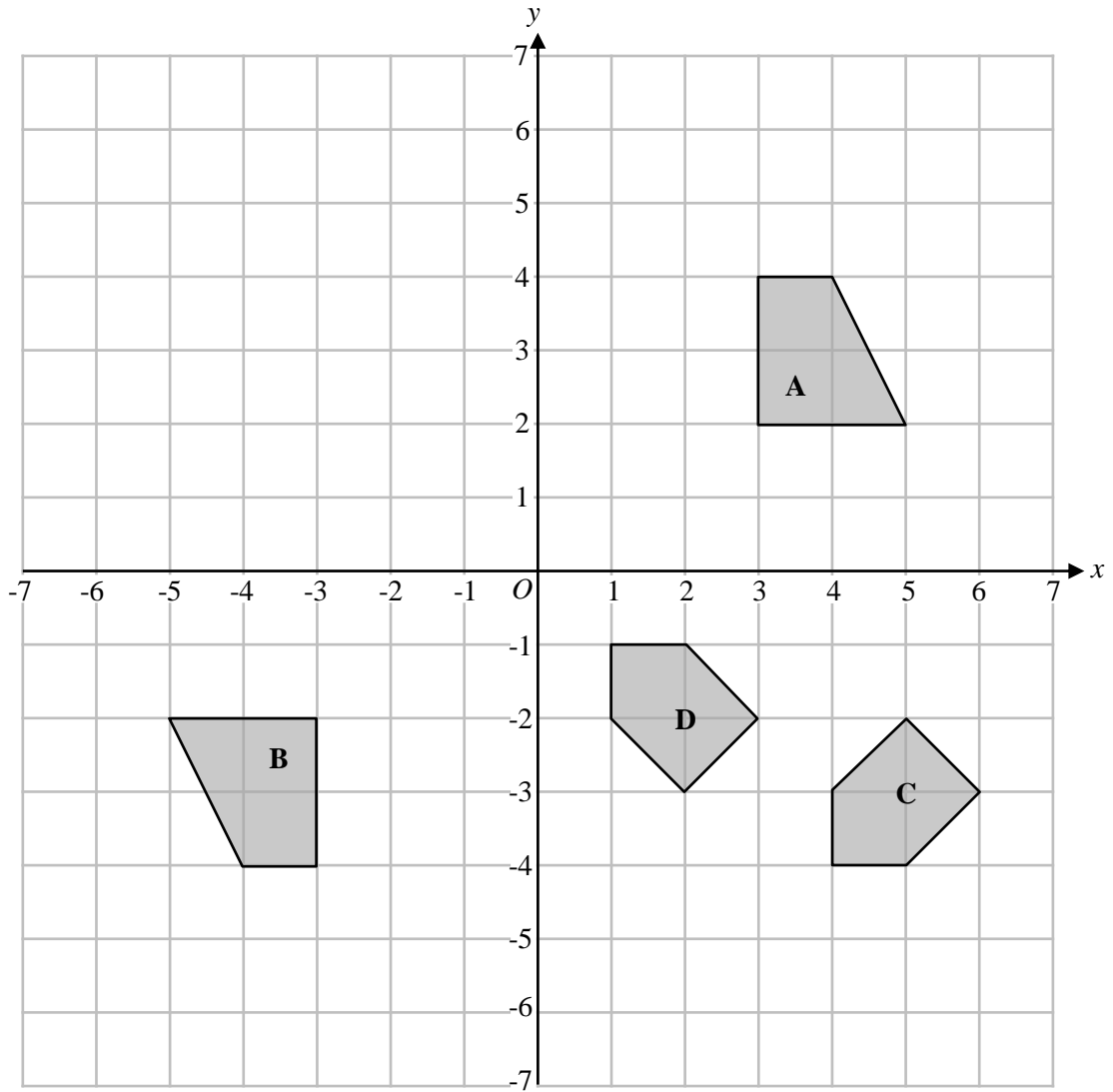
.....

(2)

(Total for Question 7 is 4 marks)



8



(a) Describe fully the single transformation that maps shape **A** onto shape **B**.

.....

..... (2)

(b) Describe fully the single transformation that maps shape **C** onto shape **D**.

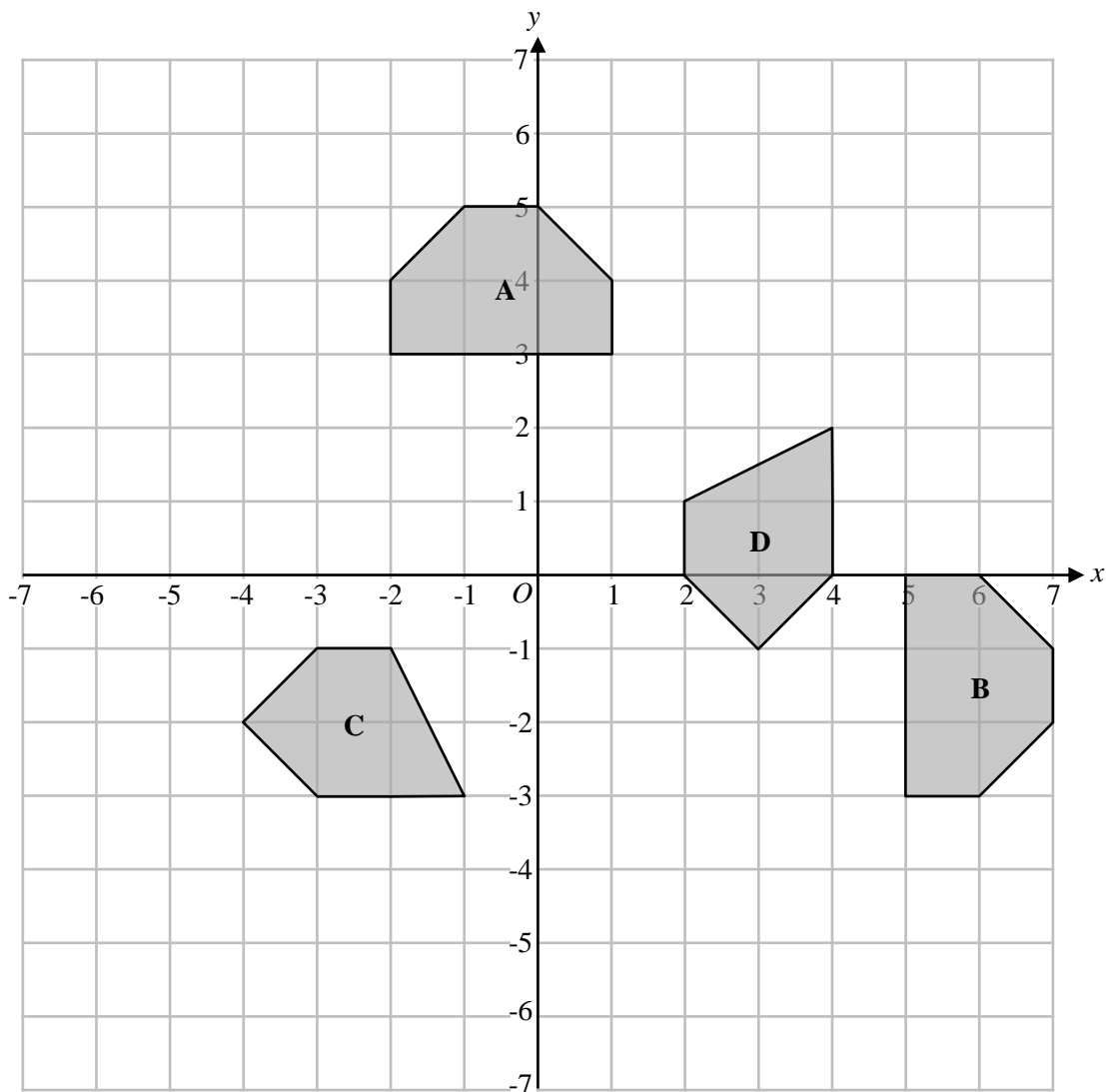
.....

..... (2)

(Total for Question 8 is 4 marks)



9



(a) Describe fully the single transformation that maps shape **A** onto shape **B**.

.....

.....

(2)

(b) Describe fully the single transformation that maps shape **C** onto shape **D**.

.....

.....

(2)

(Total for Question 9 is 4 marks)

