



SCAN ME

Translations

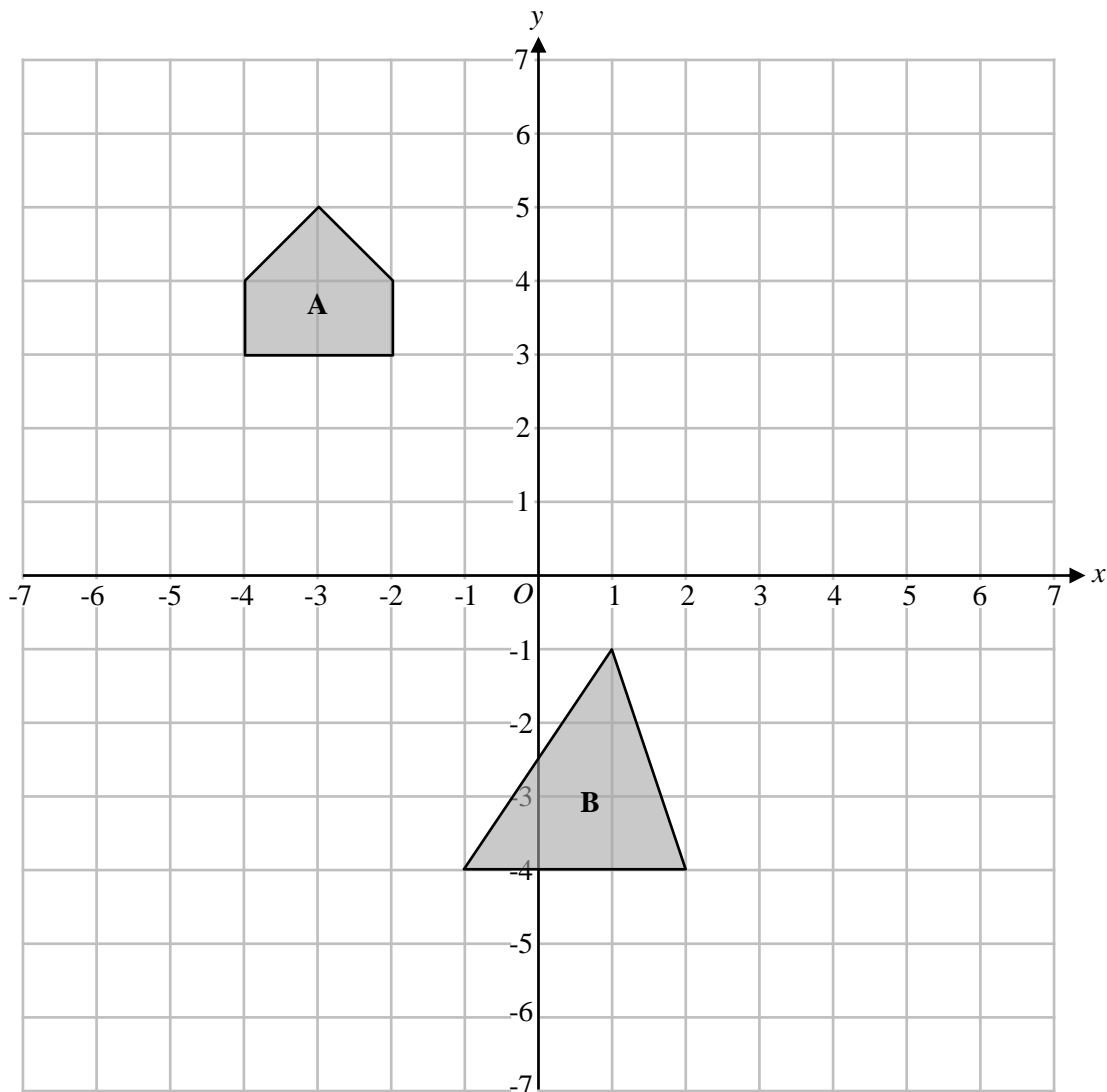


SCAN ME

REVISE THIS TOPIC

CHECK YOUR ANSWERS

1 Shape A and Shape B are shown on the grid below.



(a) Translate shape A by the vector $\begin{pmatrix} 5 \\ -2 \end{pmatrix}$
Label the image shape C.

(2)

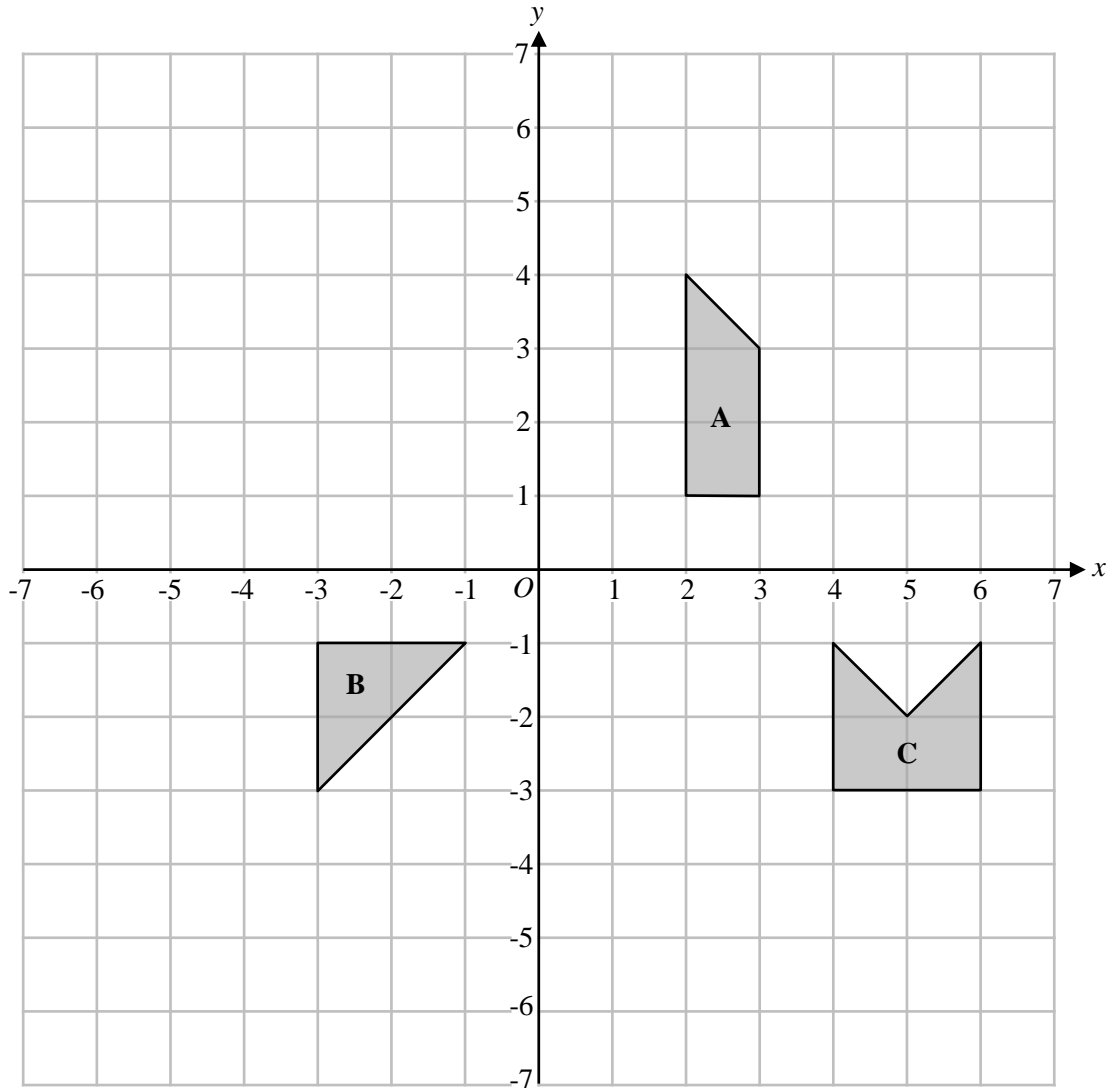
(b) Translate shape B by the vector $\begin{pmatrix} -3 \\ 0 \end{pmatrix}$
Label the image shape D.

(2)

(Total for Question 1 is 4 marks)



2 Shape **A** and Shape **B** are shown on the grid below.



(a) Translate shape **A** by the vector $\begin{pmatrix} -7 \\ 2 \end{pmatrix}$
Label the image shape **D**.

(2)

(b) Translate shape **B** by the vector $\begin{pmatrix} 7 \\ 5 \end{pmatrix}$
Label the image shape **E**.

(2)

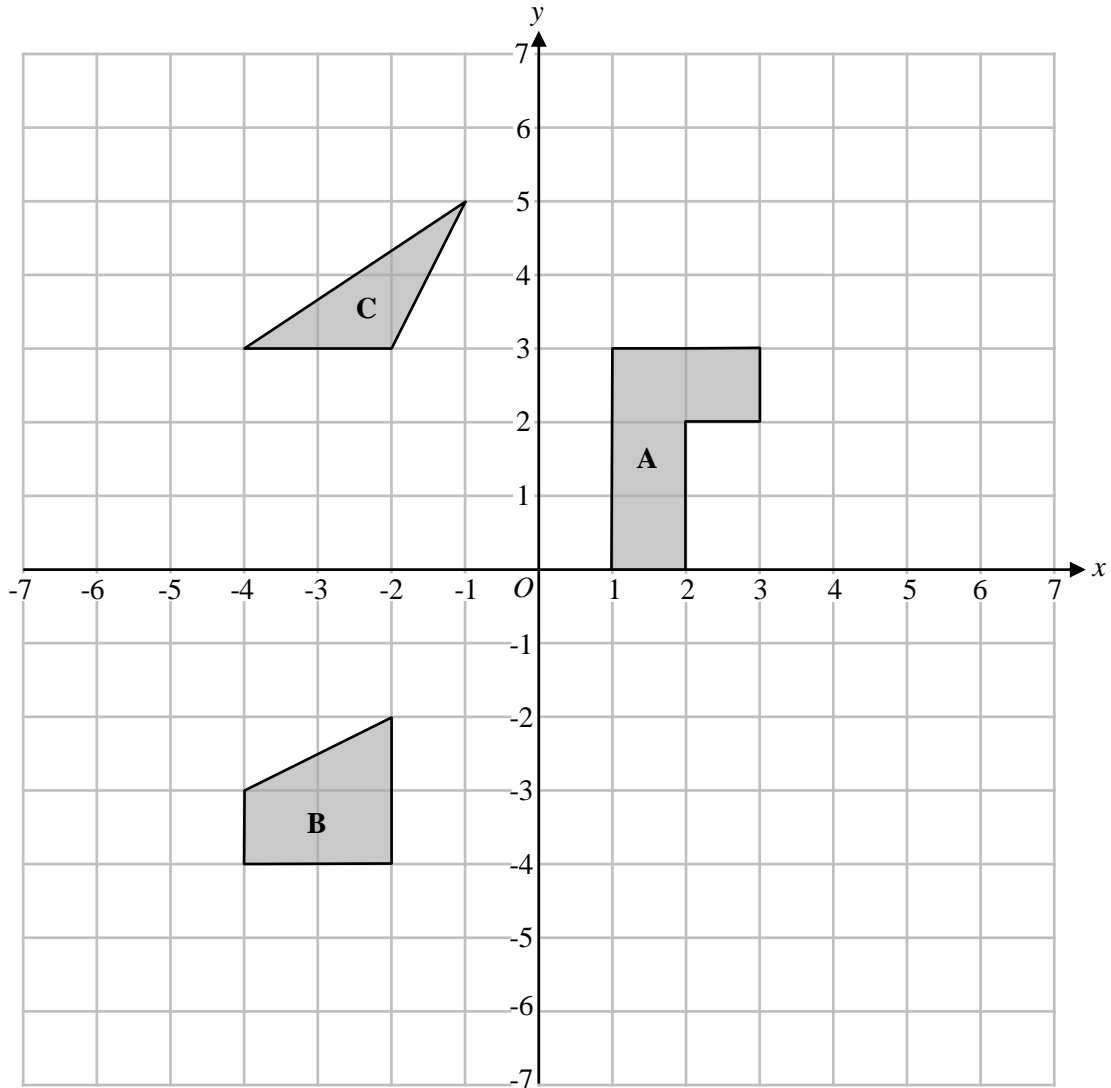
(c) Translate shape **C** by the vector $\begin{pmatrix} 0 \\ -4 \end{pmatrix}$
Label the image shape **F**.

(2)

(Total for Question 2 is 6 marks)



3 Shape **A** and Shape **B** are shown on the grid below.



(a) Translate shape **A** by the vector $\begin{pmatrix} -2 \\ -4 \end{pmatrix}$
Label the image shape **D**.

(2)

(b) Translate shape **B** by the vector $\begin{pmatrix} 6 \\ 0 \end{pmatrix}$
Label the image shape **E**.

(2)

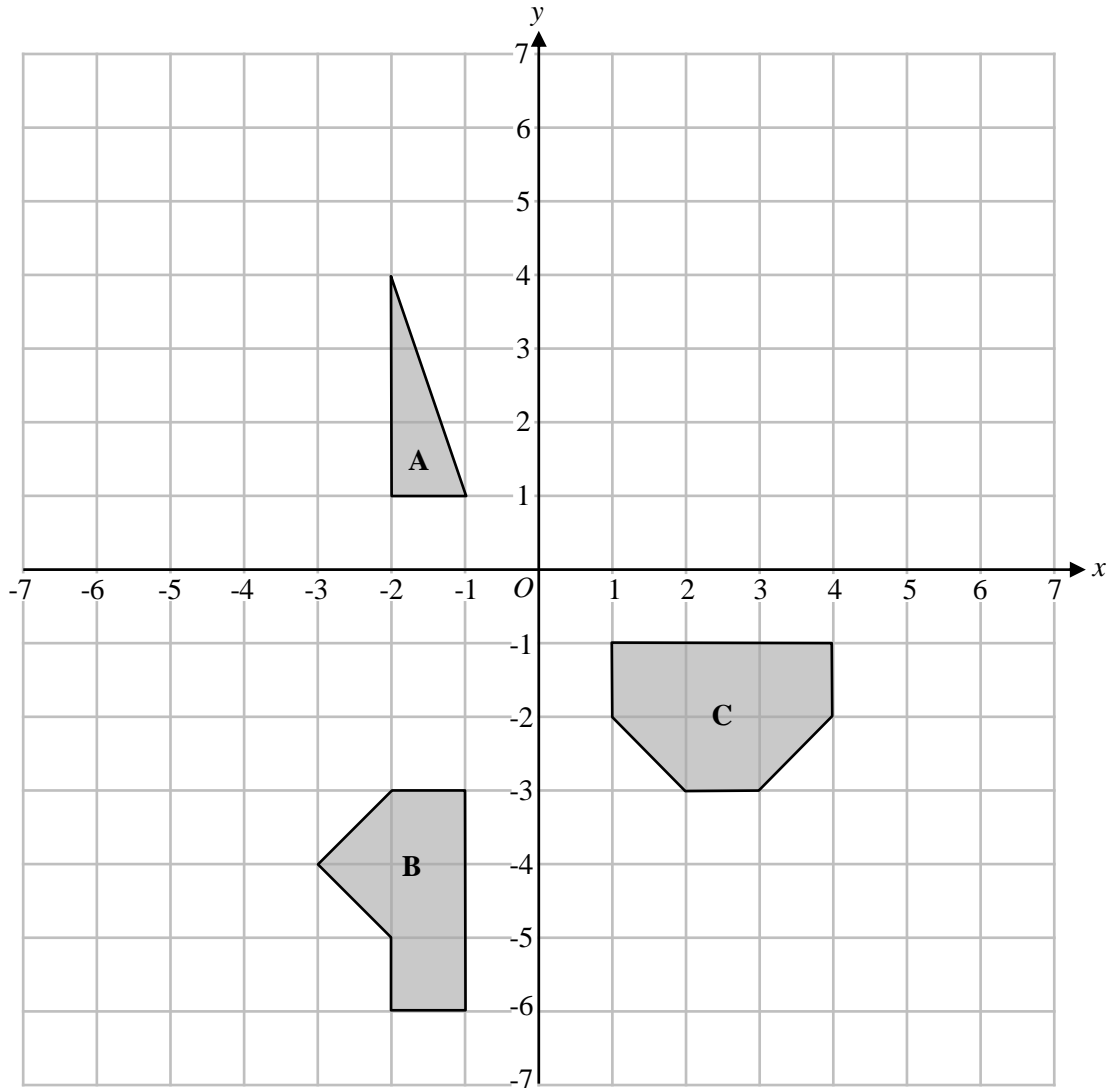
(c) Translate shape **C** by the vector $\begin{pmatrix} 1 \\ -2 \end{pmatrix}$
Label the image shape **F**.

(2)

(Total for Question 3 is 6 marks)



4 Shape **A** and Shape **B** are shown on the grid below.



(a) Translate shape **A** by the vector $\begin{pmatrix} -3 \\ 1 \end{pmatrix}$
Label the image shape **D**.

(2)

(b) Translate shape **B** by the vector $\begin{pmatrix} 3 \\ 6 \end{pmatrix}$
Label the image shape **E**.

(2)

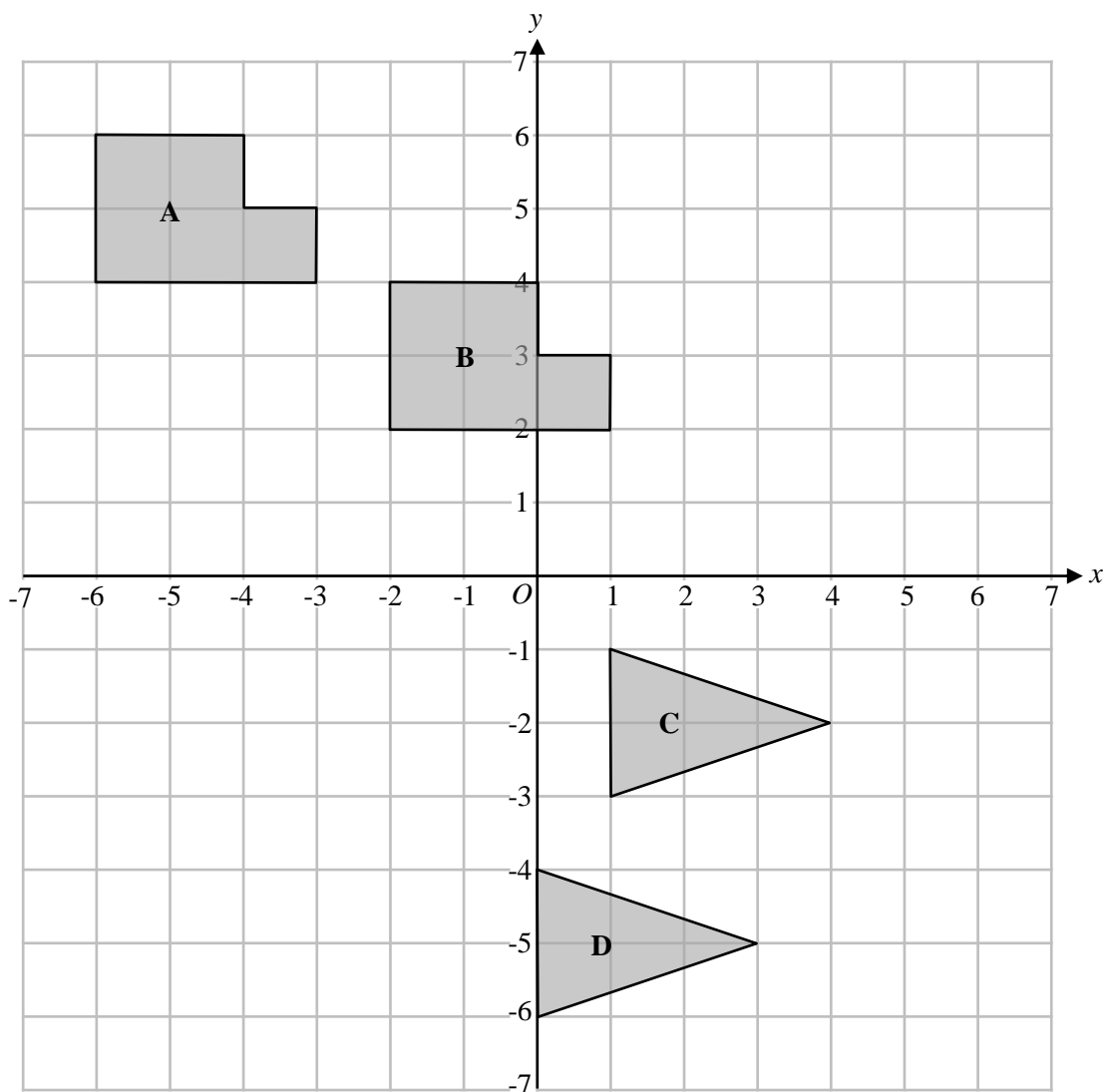
(c) Translate shape **C** by the vector $\begin{pmatrix} 0 \\ -2 \end{pmatrix}$
Label the image shape **F**.

(2)

(Total for Question 4 is 6 marks)



5



(a) Describe fully the single transformation that maps shape **A** onto shape **B**.

.....

.....

(2)

(b) Describe fully the single transformation that maps shape **C** onto shape **D**.

.....

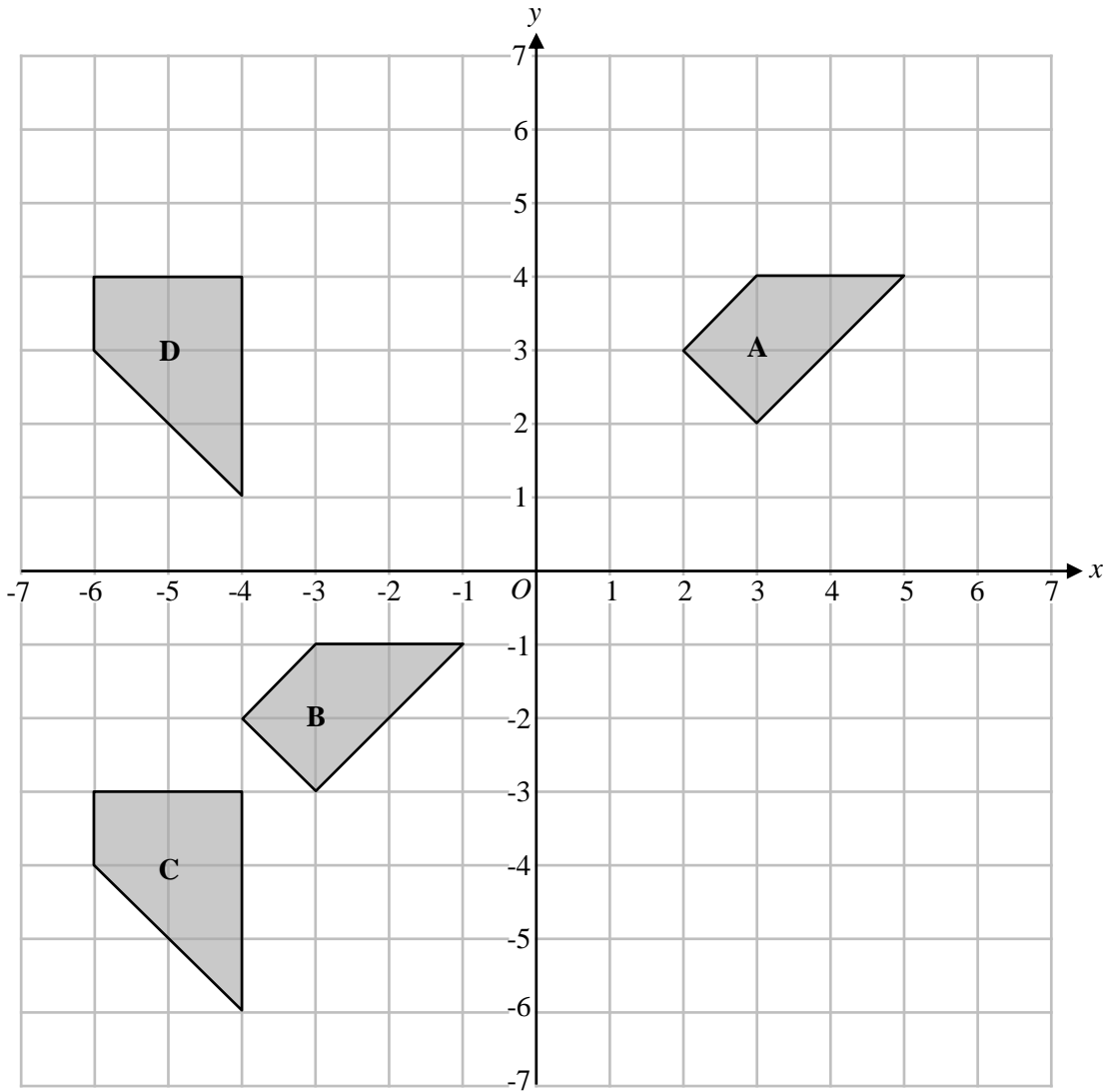
.....

(2)

(Total for Question 5 is 4 marks)



6



(a) Describe fully the single transformation that maps shape **A** onto shape **B**.

.....

..... (2)

(b) Describe fully the single transformation that maps shape **C** onto shape **D**.

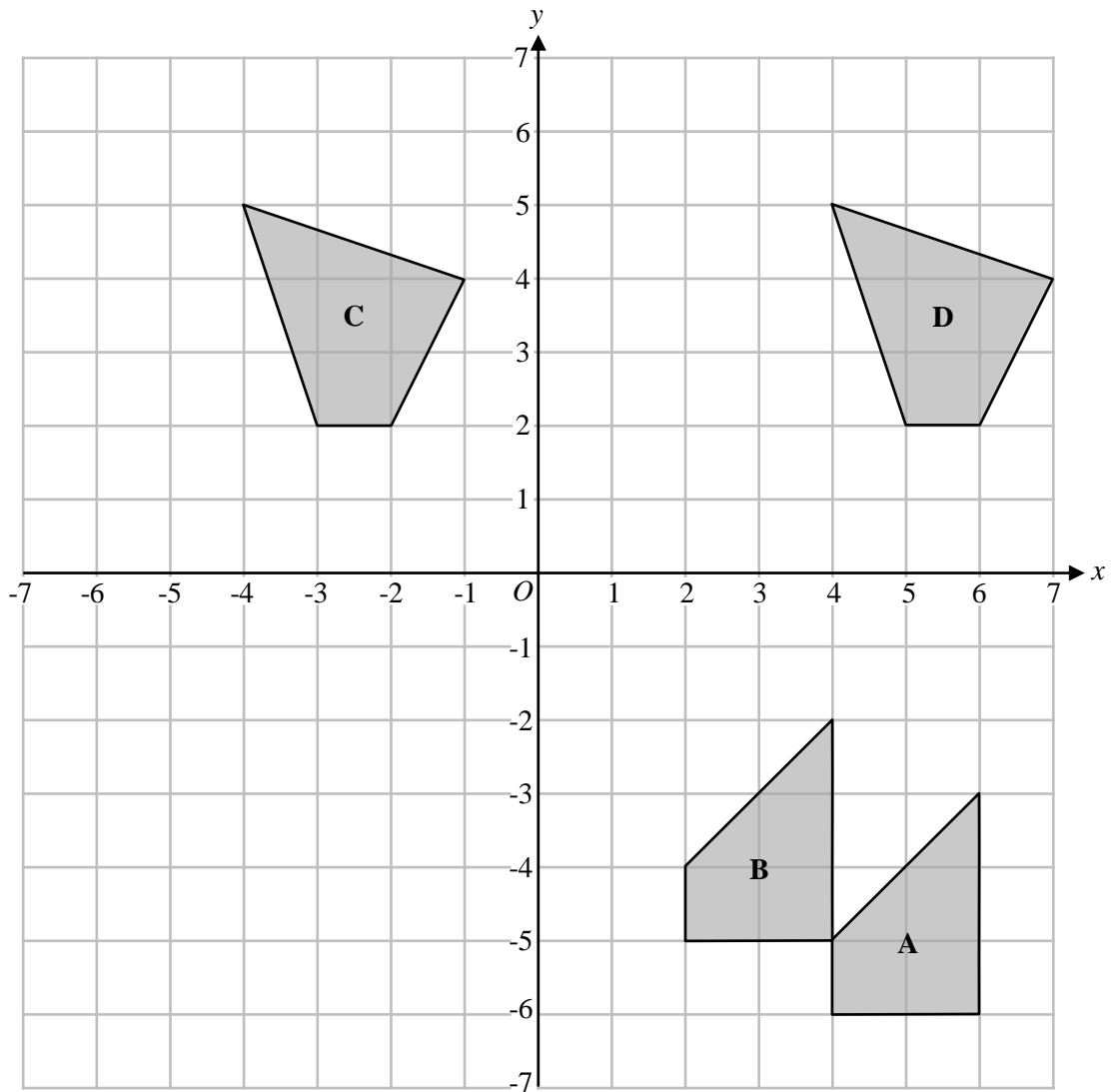
.....

..... (2)

(Total for Question 6 is 4 marks)



7



(a) Describe fully the single transformation that maps shape **A** onto shape **B**.

.....

..... (2)

(b) Describe fully the single transformation that maps shape **C** onto shape **D**.

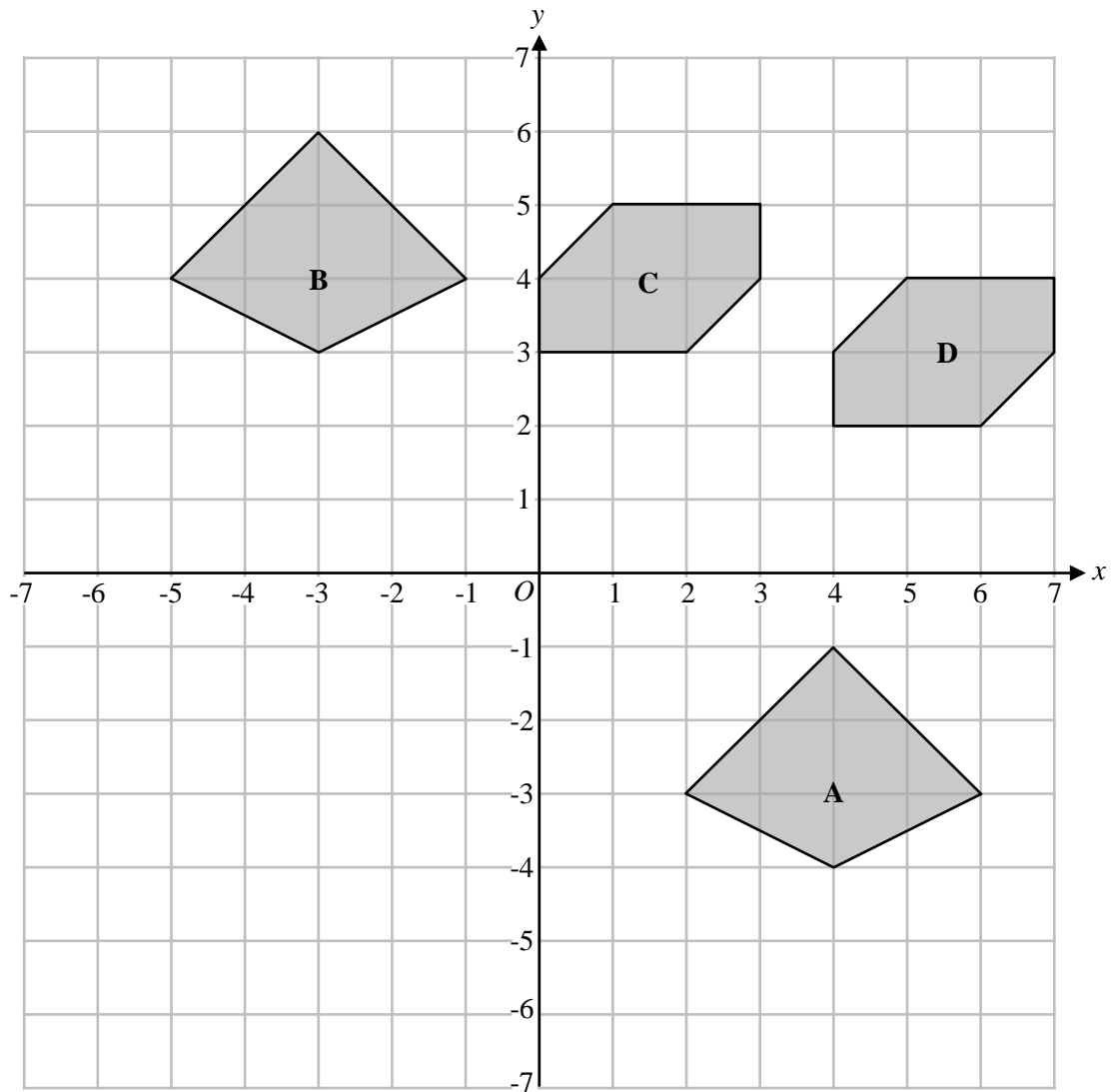
.....

..... (2)

(Total for Question 7 is 4 marks)



8



(a) Describe fully the single transformation that maps shape **A** onto shape **B**.

.....

.....

(2)

(b) Describe fully the single transformation that maps shape **C** onto shape **D**.

.....

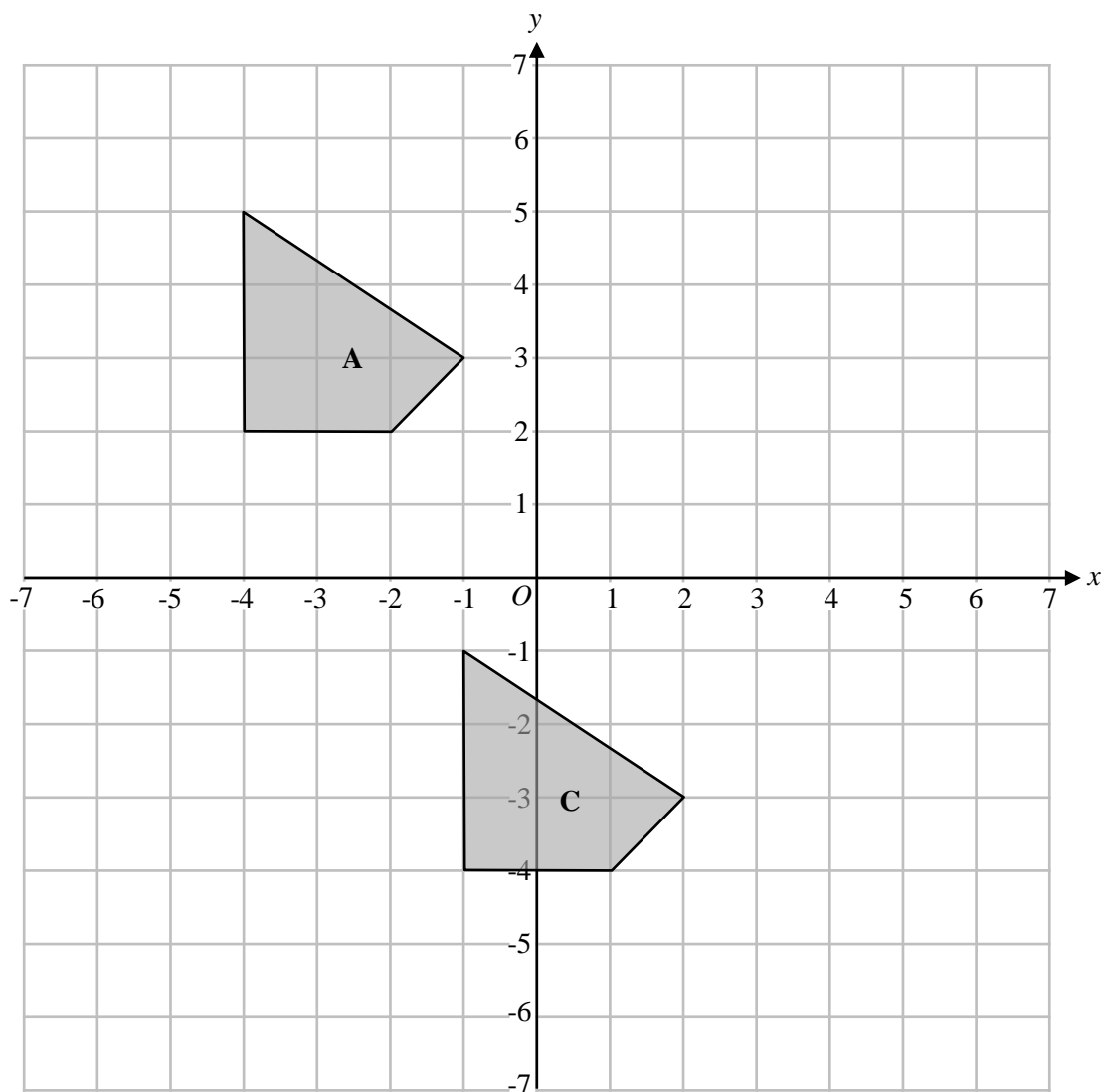
.....

(2)

(Total for Question 8 is 4 marks)



9 Shape **A** and Shape **B** are shown on the grid below.



Shape **A** is translated to shape **B** by the vector $\begin{pmatrix} 6 \\ -1 \end{pmatrix}$

Describe fully the single transformation that maps shape **B** onto shape **C**.

.....

.....

