



SCAN ME

Reflections

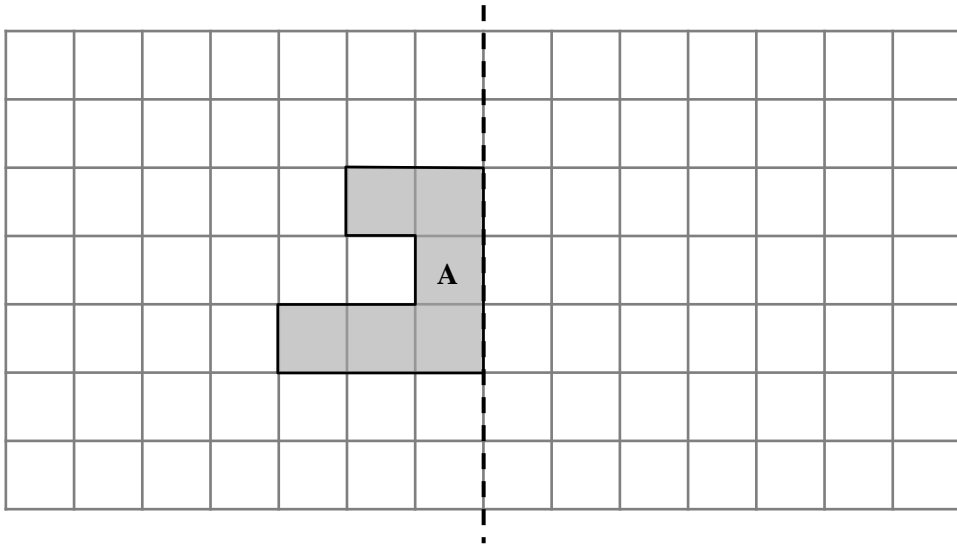


SCAN ME

REVISE THIS TOPIC

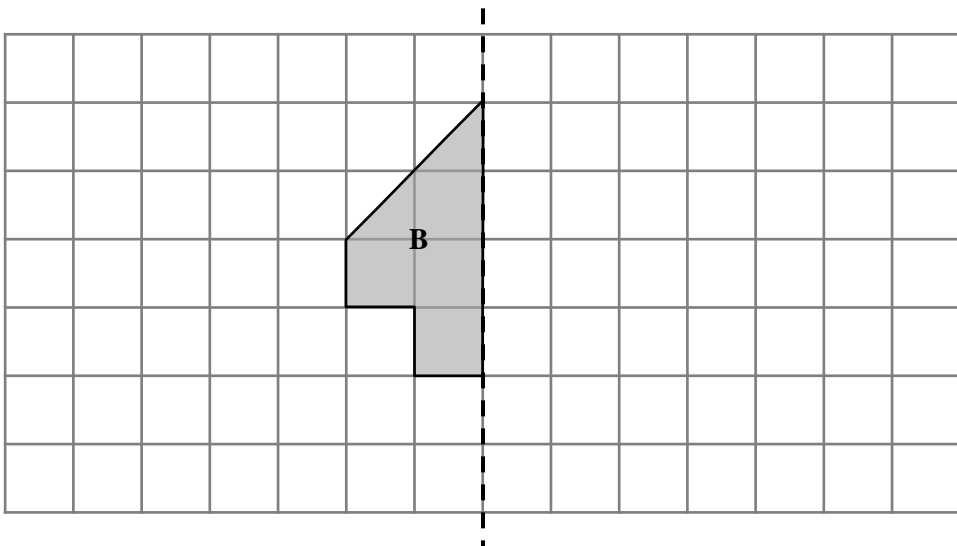
CHECK YOUR ANSWERS

1 Reflect shape **A** in the mirror line.



(Total for Question 1 is 2 marks)

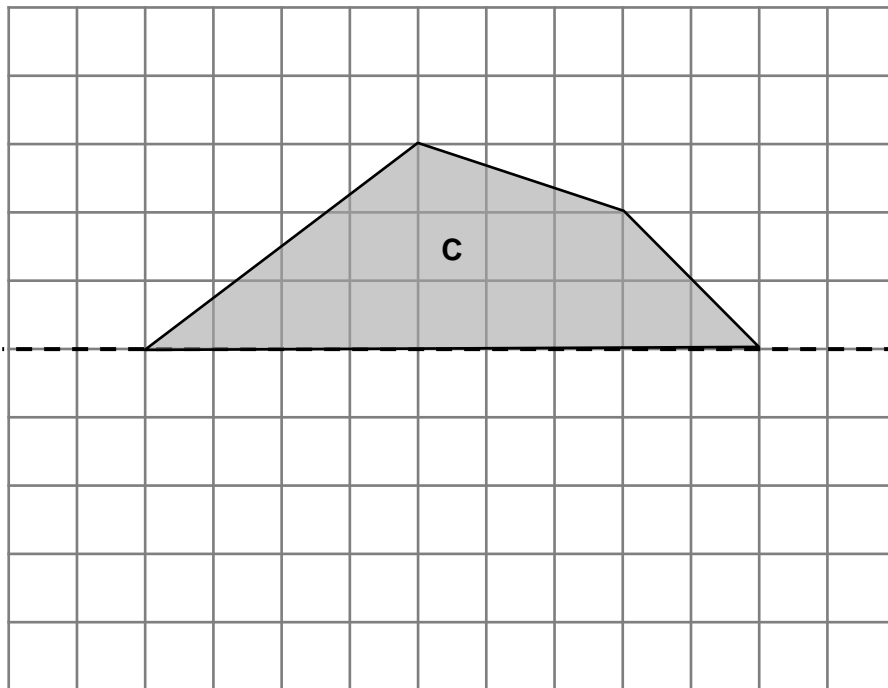
2 Reflect shape **B** in the mirror line.



(Total for Question 2 is 2 marks)

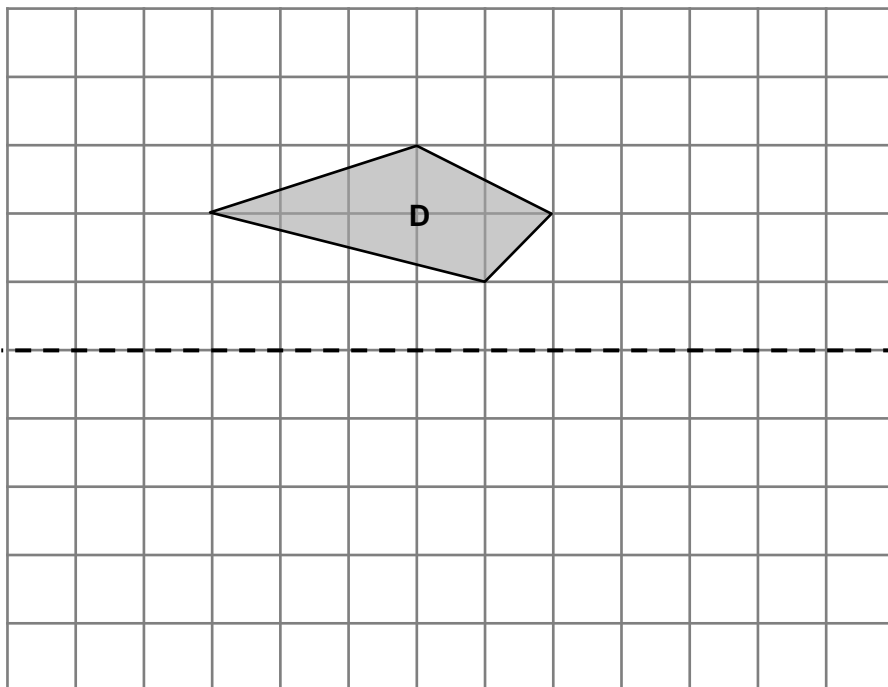


3 Reflect shape C in the mirror line.



(Total for Question 3 is 2 marks)

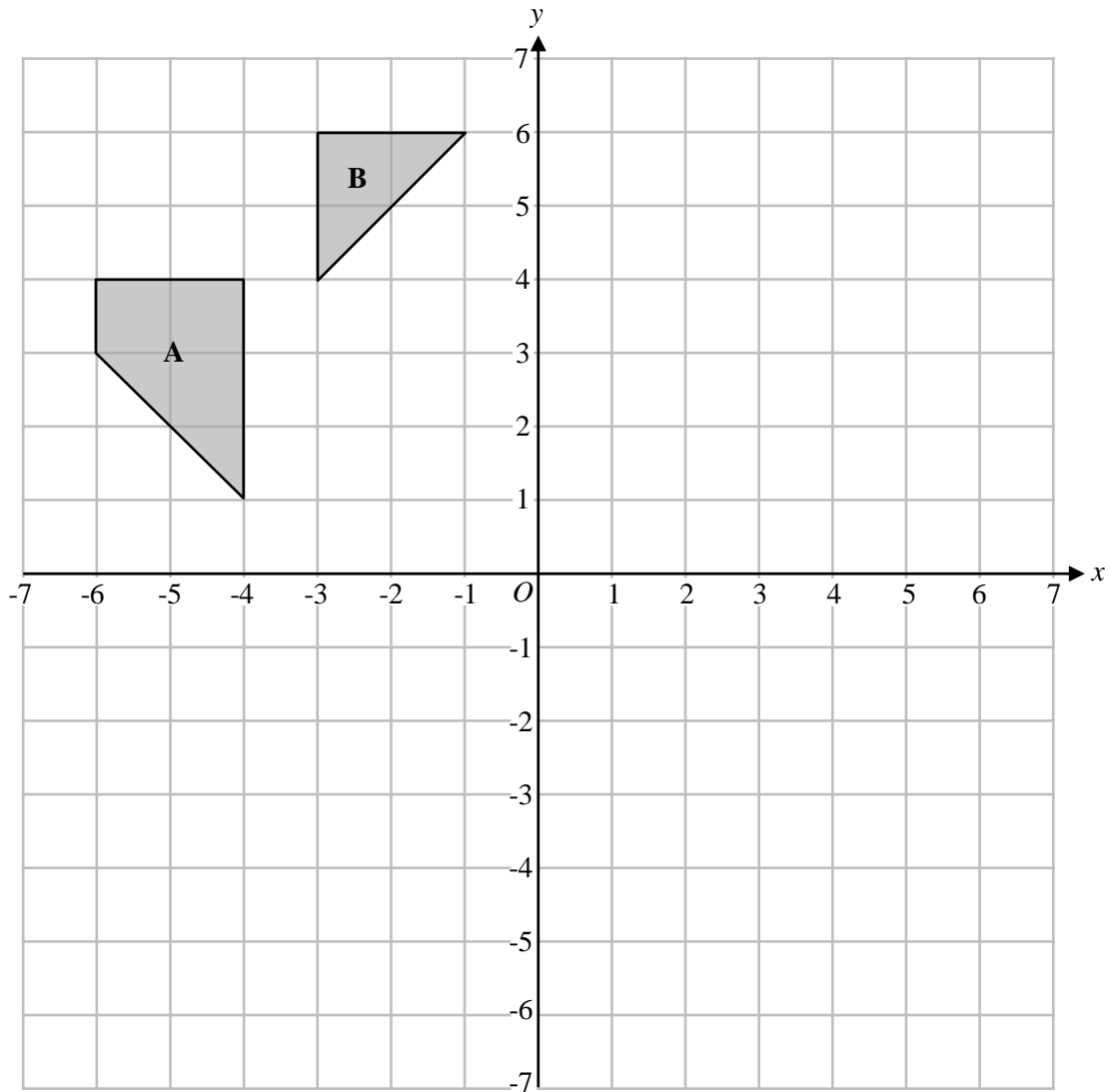
4 Reflect shape D in the mirror line.



(Total for Question 4 is 2 marks)



5 Shape **A** and Shape **B** are shown on the grid below.



- (a) Reflect shape **A** in the x -axis.
Label the image shape **C**.

(2)

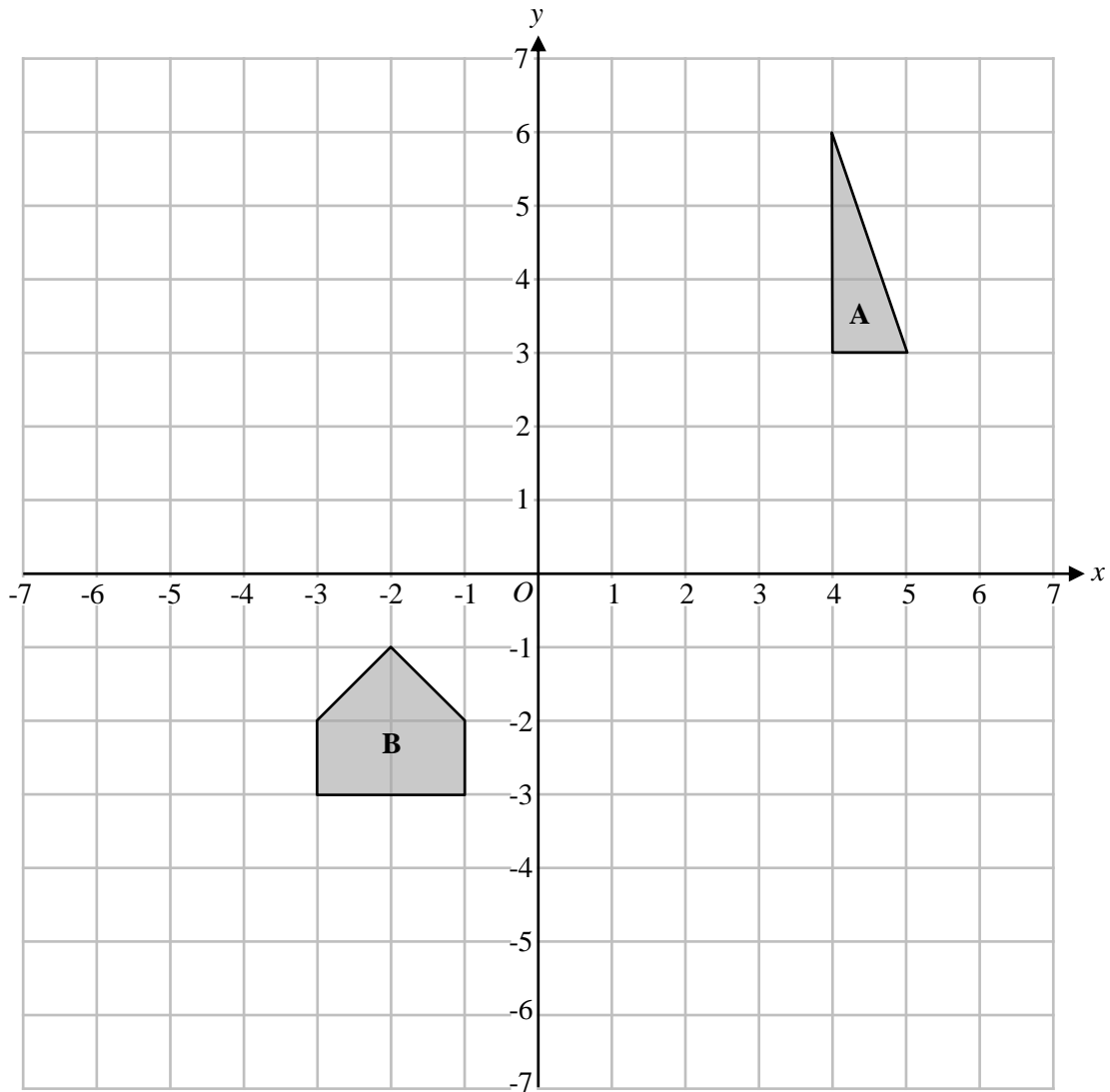
- (b) Reflect shape **B** in the y -axis.
Label the image shape **D**.

(2)

(Total for Question 5 is 4 marks)



6 Shape **A** and Shape **B** are shown on the grid below.



- (a) Reflect shape **A** in the line $y = 3$
Label the image shape **C**.

(2)

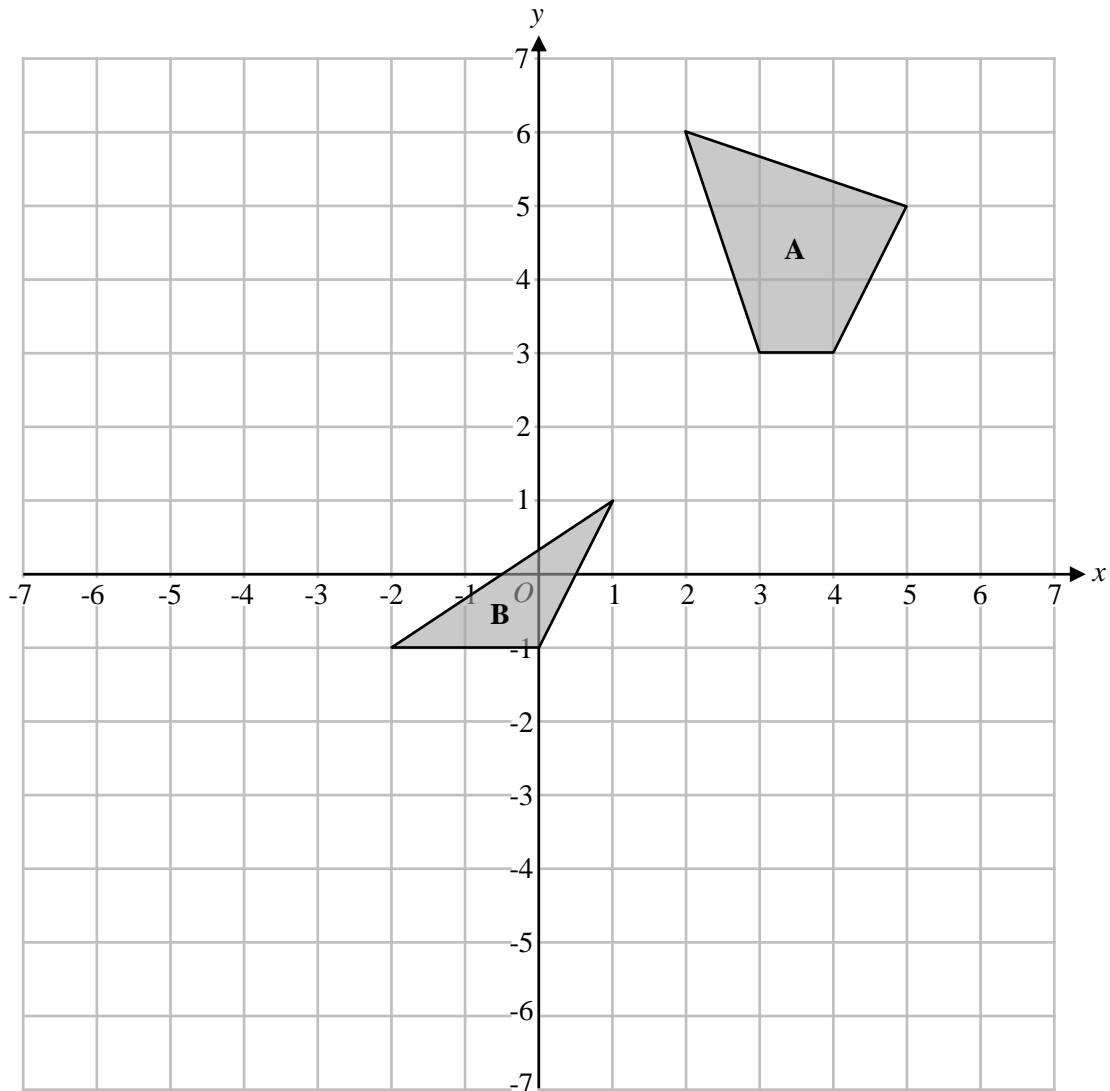
- (b) Reflect shape **B** in the line $x = 1$
Label the image shape **D**.

(2)

(Total for Question 6 is 4 marks)



7 Shape **A** and Shape **B** are shown on the grid below.



- (a) Reflect shape **A** in the line $x = 2$
Label the image shape **C**.

(2)

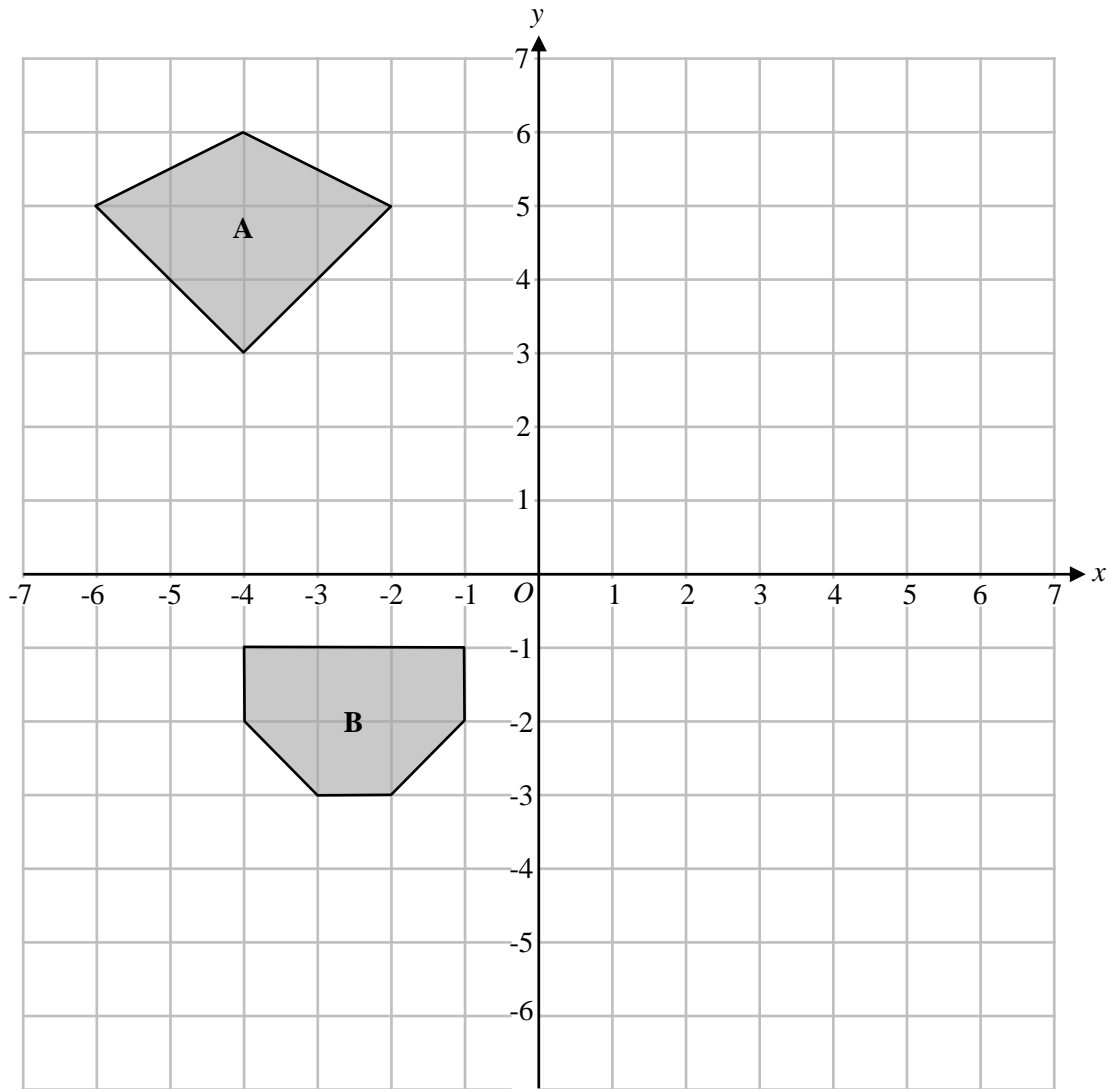
- (b) Reflect shape **B** in the line $y = -3$
Label the image shape **D**.

(2)

(Total for Question 7 is 4 marks)



8 Shape **A** and Shape **B** are shown on the grid below.



- (a) Reflect shape **A** in the line $x = 0$
Label the image shape **C**.

(2)

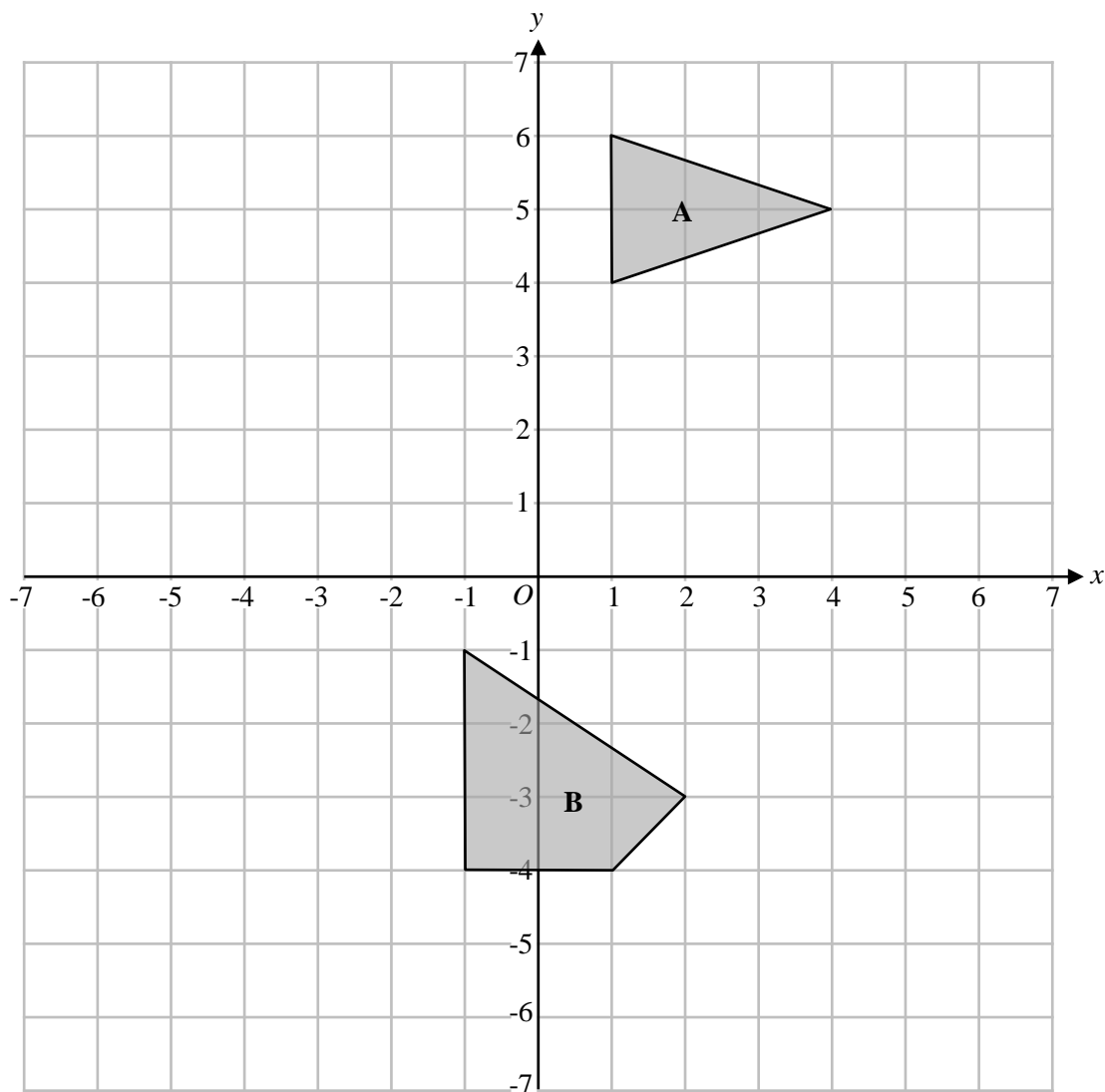
- (b) Reflect shape **B** in the line $y = 0$
Label the image shape **D**.

(2)

(Total for Question 8 is 4 marks)



9 Shape **A** and Shape **B** are shown on the grid below.



- (a) Reflect shape **A** in the line $y = x$
Label the image shape **C**.

(2)

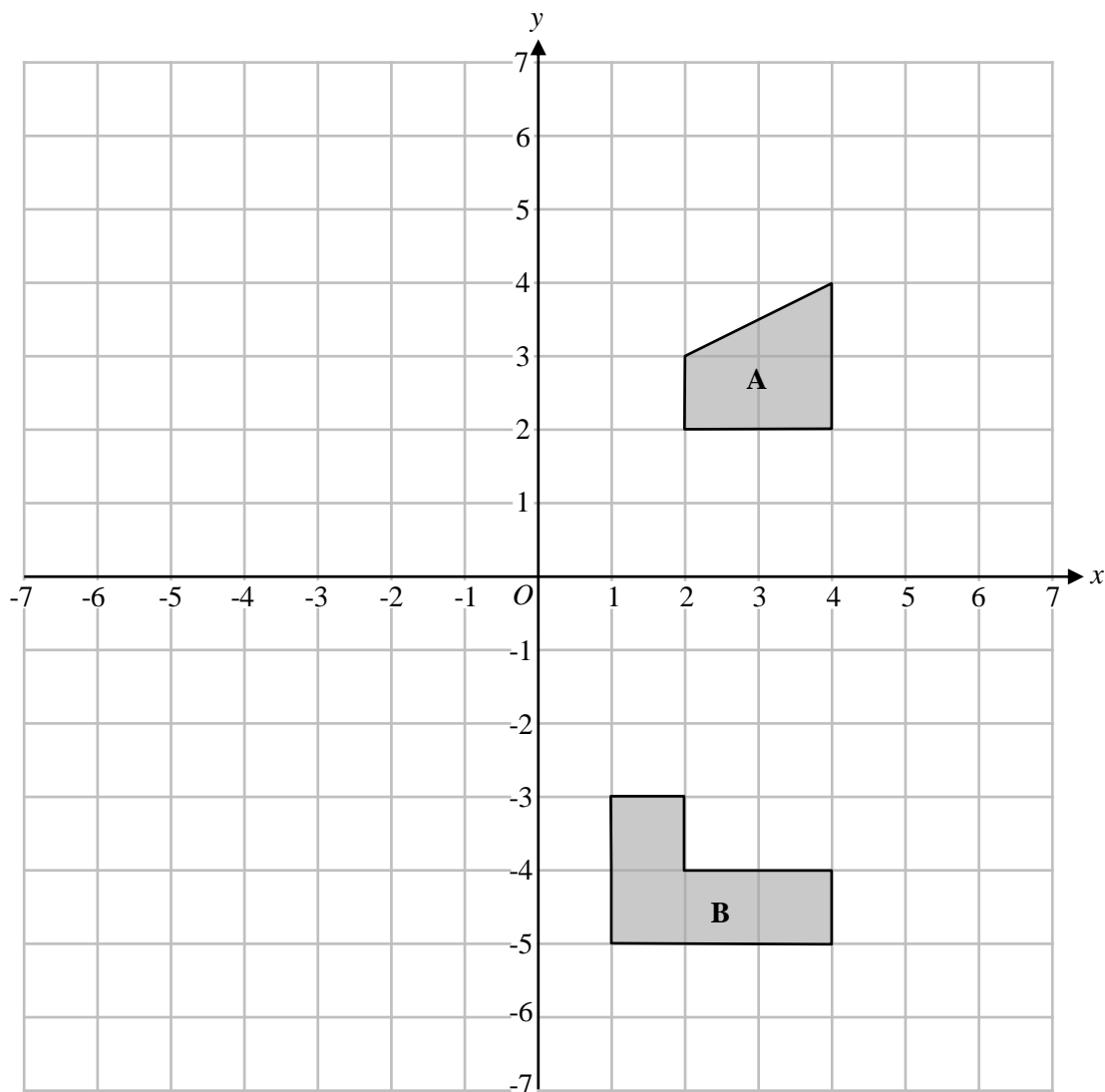
- (b) Reflect shape **B** in the line $x = -2$
Label the image shape **D**.

(2)

(Total for Question 9 is 4 marks)



10 Shape **A** and Shape **B** are shown on the grid below.



- (a) Reflect shape **A** in the line $y = 4$
Label the image shape **C**.

(2)

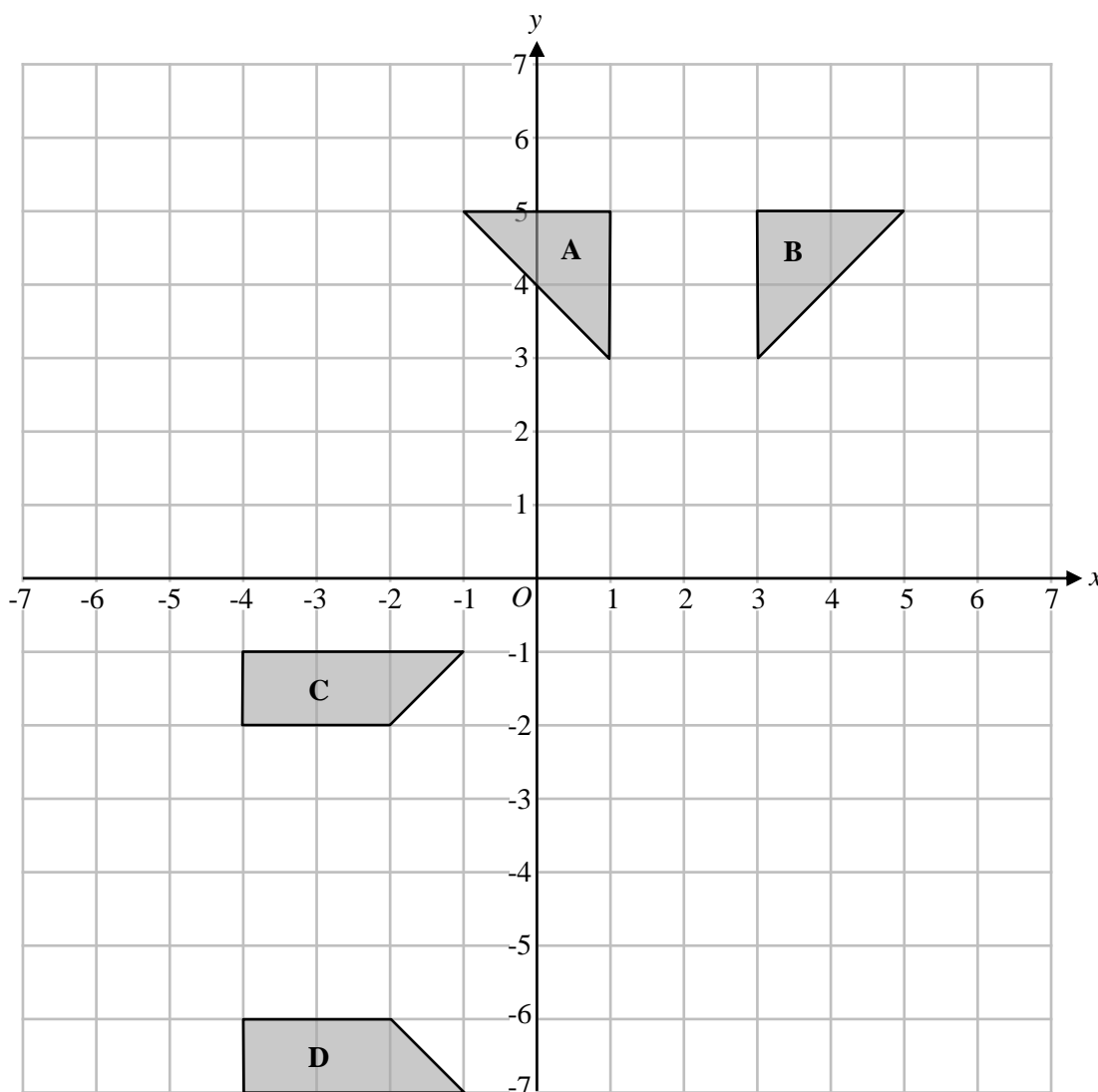
- (b) Reflect shape **B** in the line $y = -x$
Label the image shape **D**.

(2)

(Total for Question 10 is 4 marks)



11



(a) Describe fully the single transformation that maps shape **A** onto shape **B**.

.....

..... (2)

(b) Describe fully the single transformation that maps shape **C** onto shape **D**.

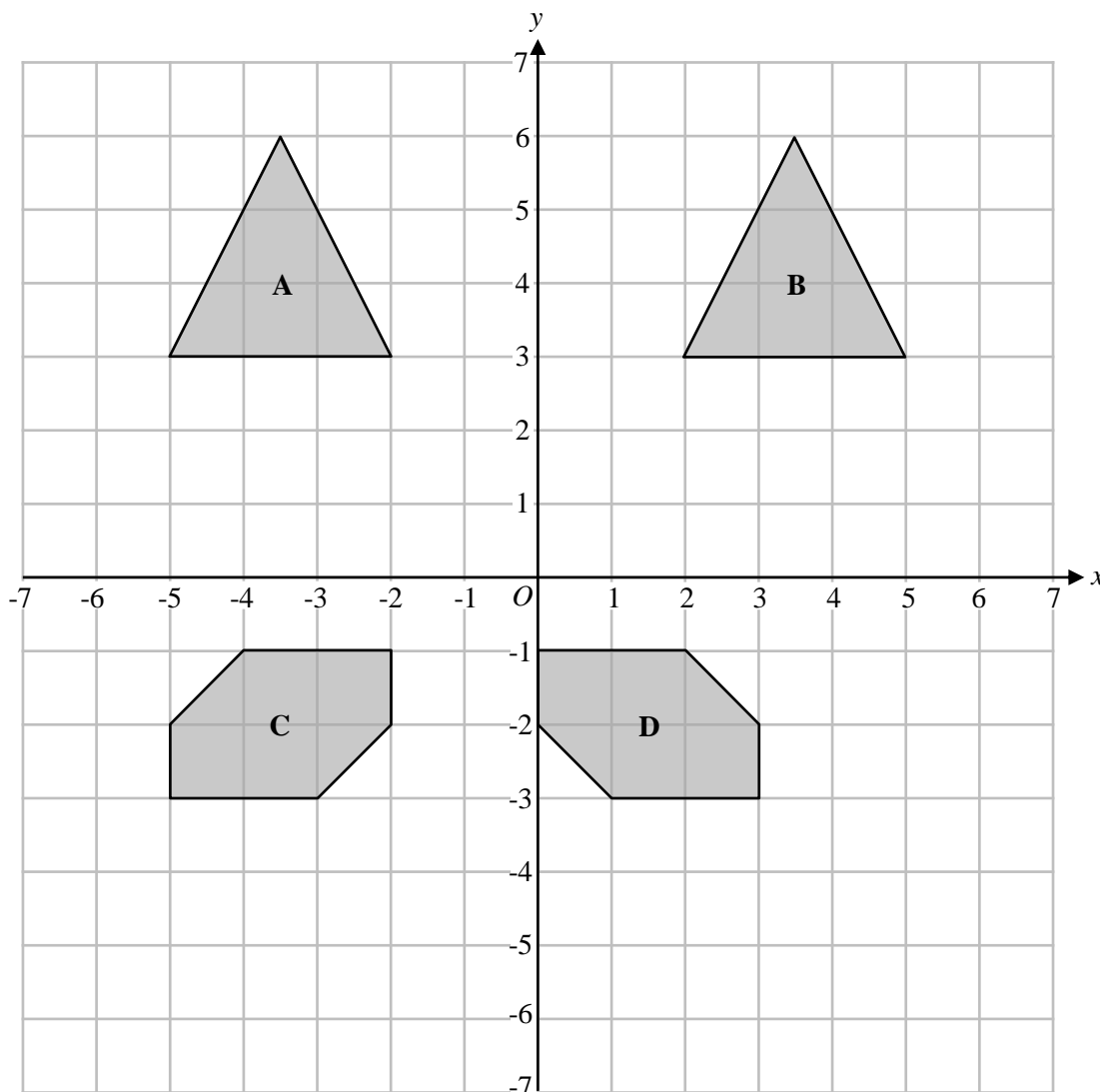
.....

..... (2)

(Total for Question 11 is 4 marks)



12



(a) Describe fully the single transformation that maps shape **A** onto shape **B**.

.....

..... (2)

(b) Describe fully the single transformation that maps shape **C** onto shape **D**.

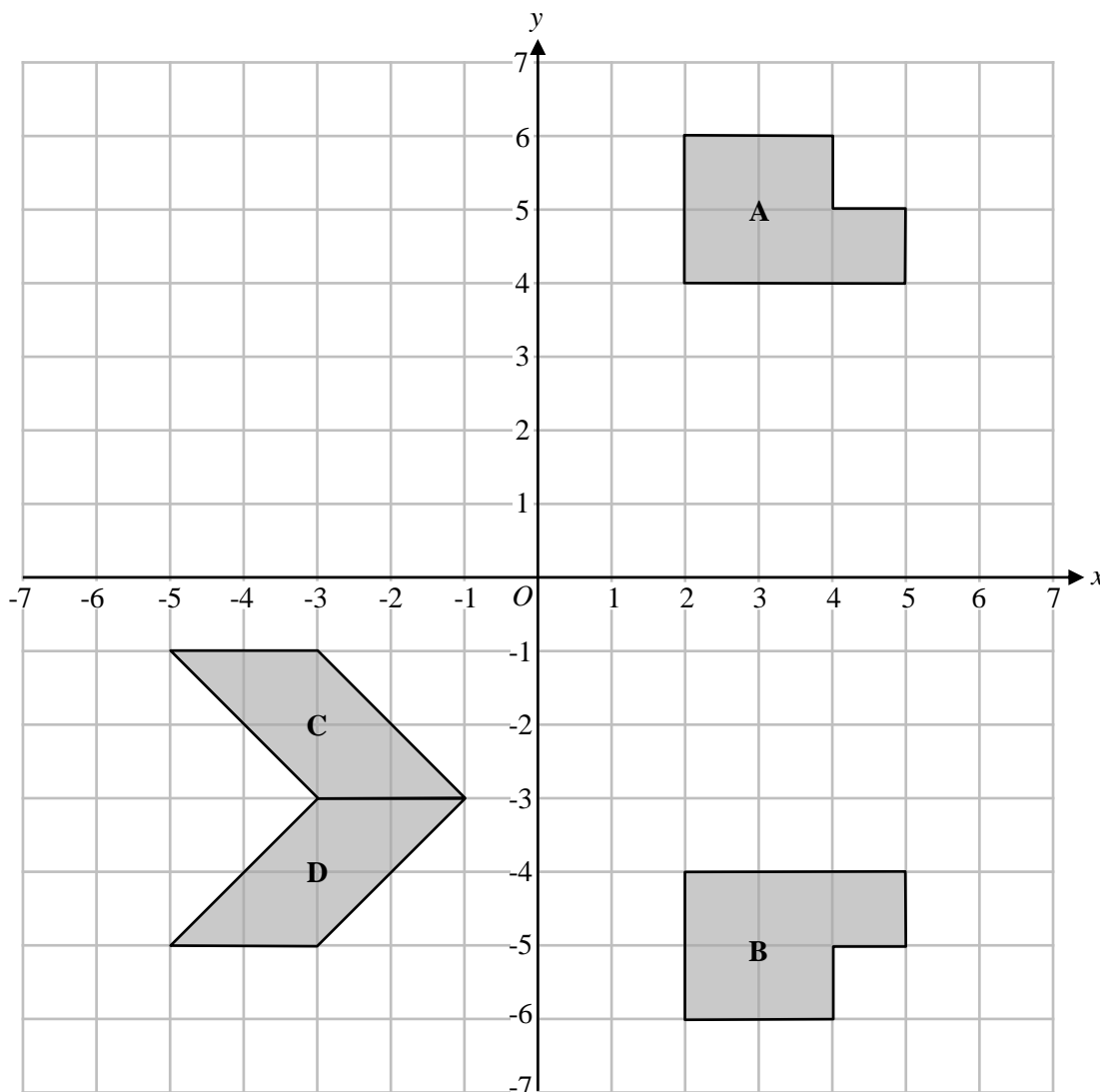
.....

..... (2)

(Total for Question 12 is 4 marks)



13



(a) Describe fully the single transformation that maps shape **A** onto shape **B**.

.....

..... (2)

(b) Describe fully the single transformation that maps shape **C** onto shape **D**.

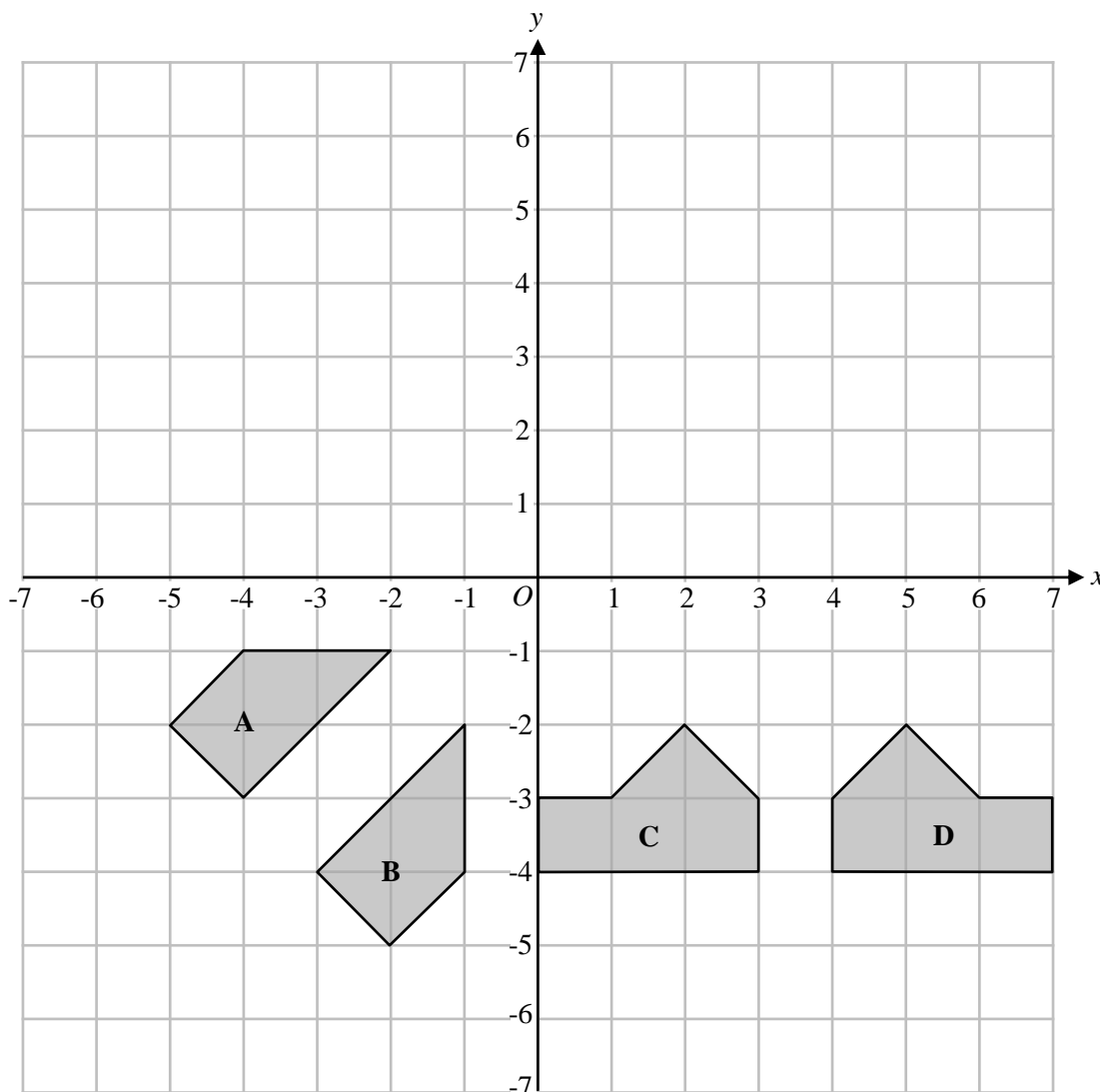
.....

..... (2)

(Total for Question 13 is 4 marks)



14



(a) Describe fully the single transformation that maps shape **A** onto shape **B**.

.....

.....

(2)

(b) Describe fully the single transformation that maps shape **C** onto shape **D**.

.....

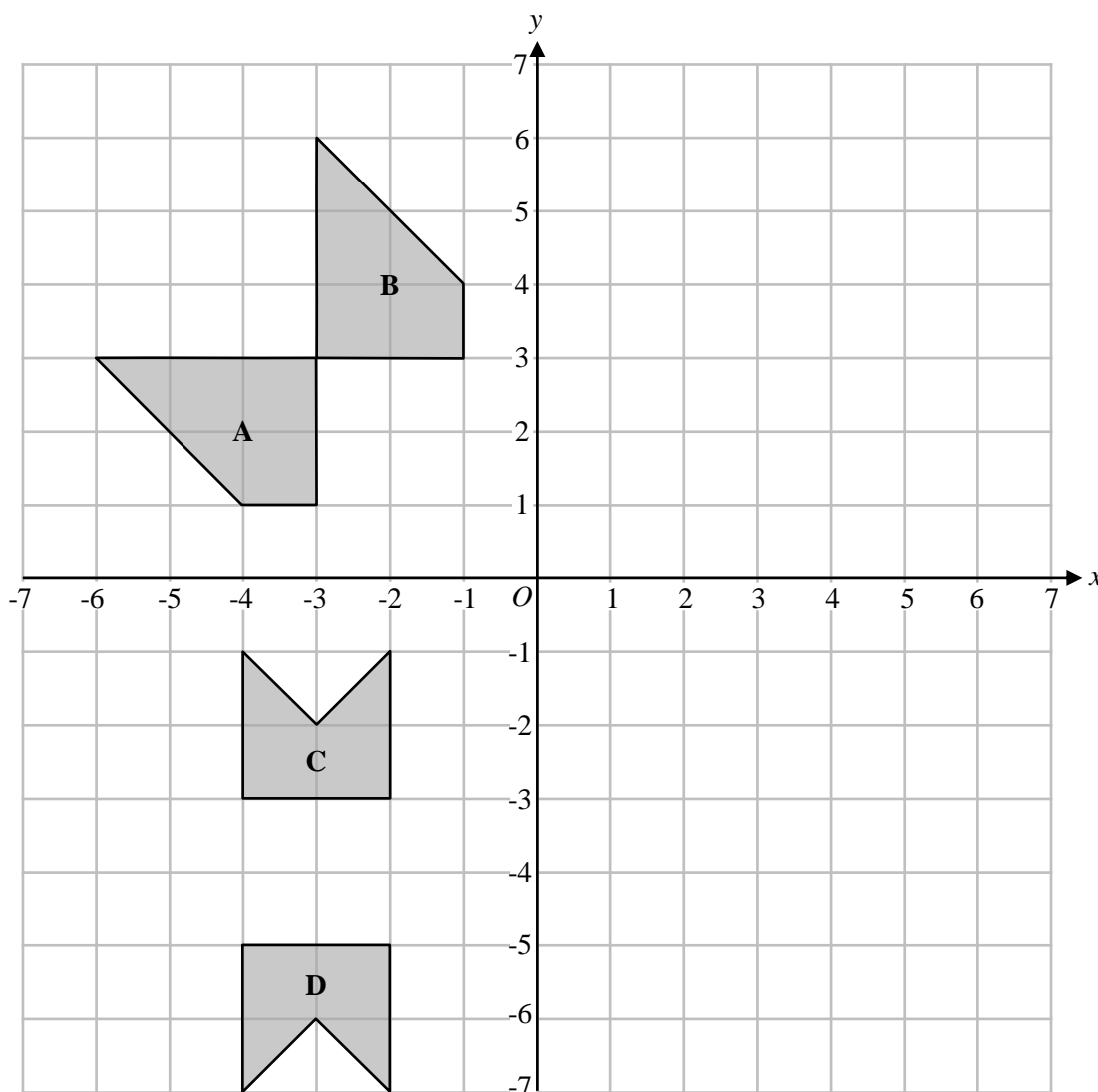
.....

(2)

(Total for Question 14 is 4 marks)



15



(a) Describe fully the single transformation that maps shape **A** onto shape **B**.

.....

.....

(2)

(b) Describe fully the single transformation that maps shape **C** onto shape **D**.

.....

.....

(2)

(Total for Question 15 is 4 marks)

